



АВТОМАТИЧЕСКИЙ ШИНОМОНТАЖНЫЙ СТАНОК

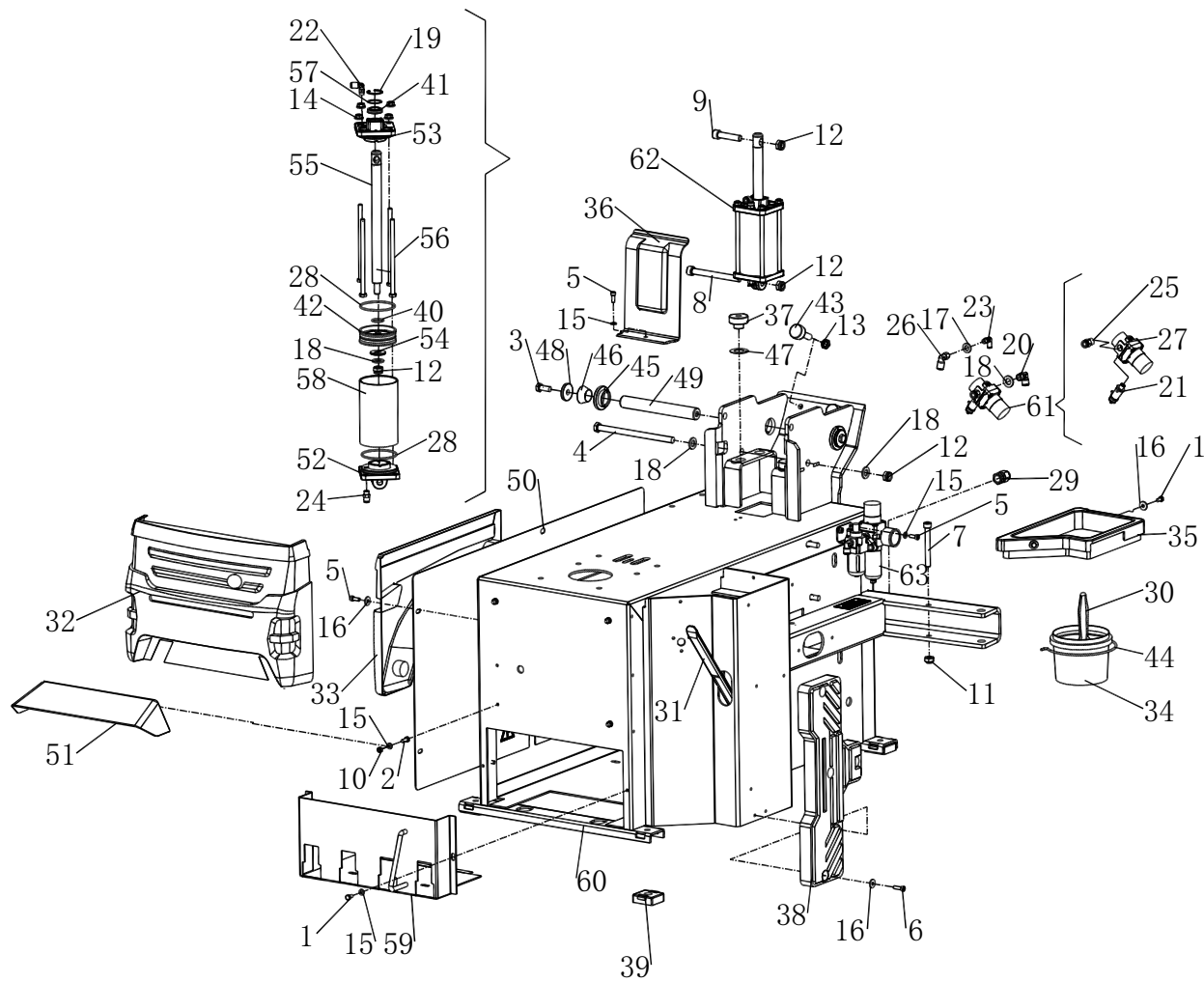
КС-403А Про

с инверторным приводом



КАТАЛОГ ЗАПЧАСТЕЙ

EAC



BODY

ED. 06/18

ITEM	PART NUMBER	DESCRIPTION	QTY	REMARK
1	02010011	Screw GB/T5783/M6X12	6	
2	02010013	Screw GB/T5783/M6X16	4	
3	02010064	Screw GB/T5783/M10X25	2	
4	02010207	Screw GB/T5782/M12X190	1	
5	02020032	Screw GB/T70.1/M6X16	7	
6	02020033	Screw GB/T70.1/M6X20	4	
7	02020067	Screw GB/T70.1/M10X85	1	
8	02020069	Screw GB/T70.1/M12X120	1	
9	02020077	Screw GB/T70.1/M12×55	1	
10	02030035	Nut GB/T6170/M6	4	
11	02040005	Nut GB/T889.1/M10	1	
12	02040007	Nut GB/T889.1/M12	4	
13	02040016	Nut GB/T6172.1/M12	2	
14	02040025	Nut GB/T6177.1/M8	4	
15	02050006	Washer GB/T97.1/6	11	
16	02050007	Washer GB/T96/6	10	
17	02050011	Washer GB/T97.1/10	1	
18	02050013	Washer GB/T97.1/12	4	
19	02110004	Seeger GB/T893.1/30	1	
20	03060037	90° quick union 8-1/4	1	
21	03060106	Pressure relief valve 1/8 5.5bar	1	
22	03060138	90° quick union 6-1/8	1	
23	03060139	Rotation union 4-1/8	1	
24	03060141	Rotation union 6-1/8	1	
25	03060144	Rotation union 8-1/4	1	
26	03060147	90° quick union 8-1/8	1	
27	03060327	Pressure regulator	1	

TAV.1.0

BODY

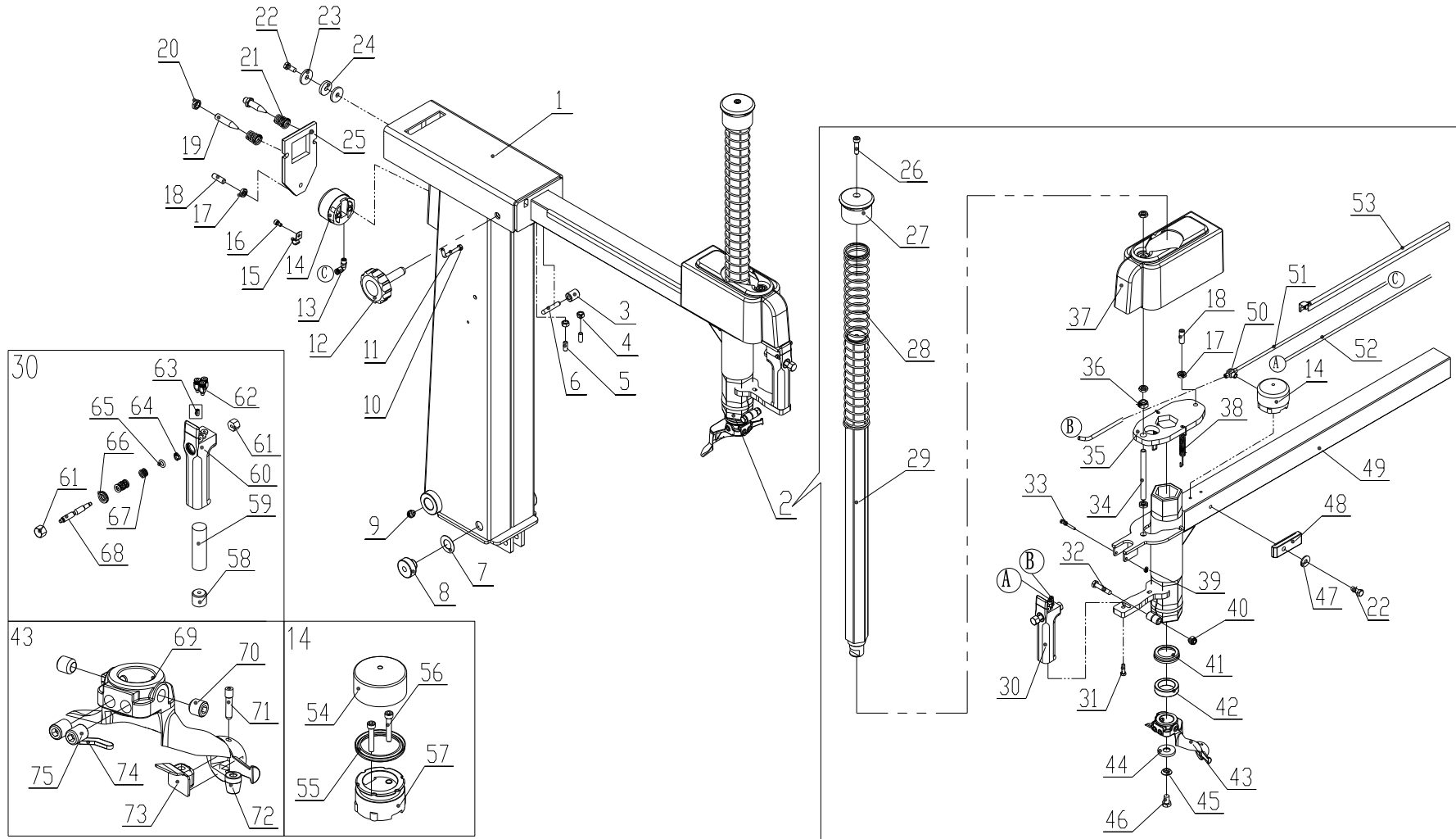
ED. 06/18

ITEM	PART NUMBER	DESCRIPTION	QTY	REMARK
28	03090039	O-ring GB1235 75X3.1	2	
29	05080252	Cable relief M18	1	
30	06900063	Brush	1	
31	06900242	Bead lifting lever	1	
32	C00A000018	Front plastic cover	1	
33	C00A000014	Plastic side cover	1	
34	YC1-4299984	Grease cup	1	
35	YC2-3011972	Plastic cover	1	
36	YC2-3012450	Protection	1	
37	C33A200001	Pad	2	
38	YC1-3002102	Wheel support	1	
39	YC1-3002099	Plastic foot	4	
40	21400012	O-ring 20X2.75	1	
41	21400013	Scraper 20X30X7	1	
42	YC1-4198856	piston	1	
43	C22A030001	Protection rubber	2	
44	YC1-3000069	Spring	1	
45	C33A000005	Pin washer	2	
46	C33A000006	Conical bush	2	
47	C33A200007	Pad	2	
48	YC2-3000495	Washer	2	
49	YC2-3000206	Shaft	1	
50	C200000002	Side cover	1	
51	C00A000012	Front cover	1	
52	YC1-3015023A	Back flange	1	
53	YC1-3015024A	Front flange	1	
54	YC1-4198857	Washer	1	

BODY

ED. 06/18

ITEM	PART NUMBER	DESCRIPTION	QTY	REMARK
55	YC2-3002624	Piston shaft	1	
56	23336008	Screw M8×162	4	
57	YC1-4398146	Washer	1	
58	YC2-3008084	Cylinder liner	1	
59	YC2-2412453	Pedal support	1	
60	C26C100100	Shell	1	
61	C00AQ58000	Safety valve unit 3,5 bar	1	
62	YC2-2002831	Tilting cylinder D.75	1	
63	C00AQ54000	Lubricator + filter regulator	1	



TAV.2.0	HORIZ. AND VERT. ARMS	ED. 06/18
---------	-----------------------	-----------

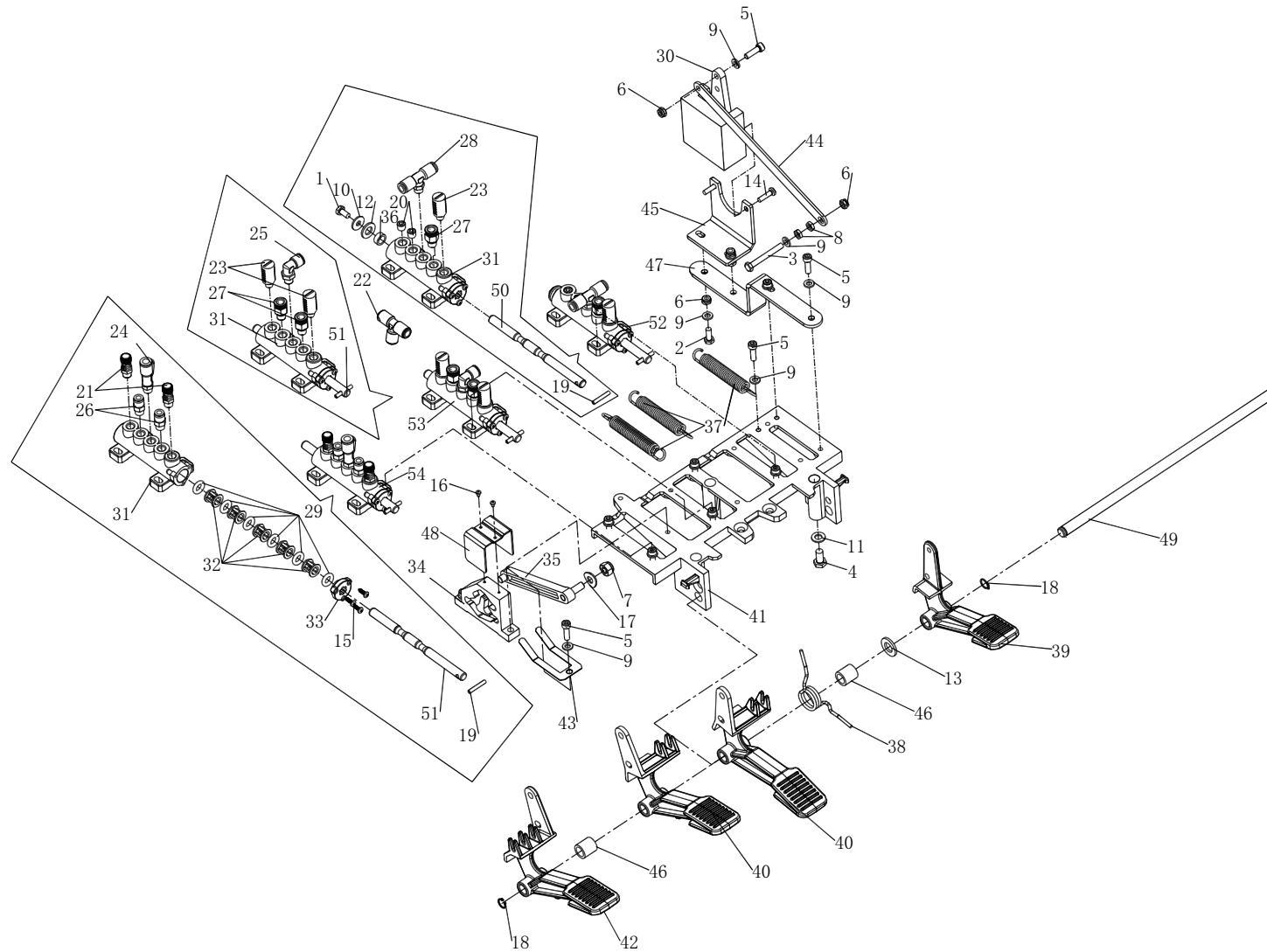
ITEM	PART NUMBER	DESCRIPTION	QTY	REMARK
1	C26B300100	Vertical post	1	
2	C26C310000	Working arm assembly	1	
3	YC2-3002474	Roller	1	
4	0203029	Nut M8 - GB/T6170	2	
5	0209019	Screw M8X20	2	
6	YC2-3002475	Shaft	1	
7	C33A200007	Pad	2	
8	C33A200001	Pad	2	
9	0215020	Oil cup 10X1	1	
10	0203004	Nut M6 - GB52	1	
11	YC1-3012978	Inflator hook	1	
12	YC2-2004020	Hand wheel	1	
13	0306035	90° quick union 4-1/8	1	
14	YC2-2099665	Locking cylinder	2	
15	C00A000016	Hose clamp	1	
16	0202030	Screw M6X10 - GB/T70.1	1	
17	0204012	Nut M10 - GB/T6172.1	6	
18	0209022	Screw M10X30 - GB/77	2	
19	YC2-3015677	Special screw	2	
20	0204016	Nut M12 - GB/T6172.1	2	
21	YC2-3016043	Spring	2	
22	0201042	Screw M8X20 - GB/T5783	2	
23	YC2-4399947	Washer	2	
24	YC2-3000181	Washer	1	
25	YC2-3015676	Arm locking plate	1	
26	0202049	Screw M8X30 - GB/T70.1.	1	

TAV.2.0	HORIZ. AND VERT. ARMS	ED. 06/18
---------	-----------------------	-----------

27	YC1-3001759	Arm knob	1
28	104-3005407	Spring	1
29	YC2-3011391	Hexagonal arm	1
30	YC2-2008335	Arm control valve	1
31	0201129	Screw M6X20	1
32	0201037	Screw M8X40 - GB/T5782	1
33	0201003	Screw M4X35 - GB/T5781	1
34	0213043	Special screw	1
35	YC2-3006106	Arm locking plate	1
36	0204005	Nut M10 - GB/T889.1	1
37	YC2-3015860	Arm frame	1
38	YC2-3002273	Spring	2
39	0204001	Nut M4 - GB/T889.1	1
40	0204004	Nut M8 - GB/T889.1	1
41	YC1-3002601	Shock absorber	1
42	YC1-3002602	Shock absorber protection	1
43	YC1-2002215	Mounting tool unit	1
44	YC1-4295804	Conical washer	1
45	YC1-4295805	Spherical washer	1
46	0201059	Screw M10X16 - GB/T5783	1
47	0205009	Washer D.8 - GB/T96	1
48	YC2-3007935	Limit block	1
49	C26C310100	Horizontal arm	1
50	0306063	Tee rotation union 4-1/8	1
51	0306092	Rilsan hose 4X2 L=1300(yellow)	1
52	0306126	Rilsan hose 4X2 L=2350(red)	1
53	C33A200003	Guide	1

TAV.2.0	HORIZ. AND VERT. ARMS	ED. 06/18
---------	-----------------------	-----------

54	YC2-4299524	Cylinder liner	2
55	YC2-4299522	Sealing ring 60X50X5	2
56	0202027	Screw M6X35 - GB/T70.1	4
57	YC2-4299523	Piston	2
58	YC2-3013355	Bottom cap	1
59	0511194	Fabric insert	1
60	YC2-3012487	Valve body	1
61	YC2-3012721	Aluminum nut	2
62	0306111	Quick union D.4-M5	2
63	0209052	Screw M5X10	1
64	YC2-3007646	Locking ring	1
65	YC2-4400804	O-ring	4
66	YC2-3007645	Cap	1
67	YC2-3007647	Spacer	3
68	YC2-3007644	Valve pin	1
69	YC1-3007801	Mounting tool	1
70	0209020	Screw M12X12 - GB/T80	2
71	0215031	Shaft	1
72	0215032	Peak roller	1
73	YC1-3006689	Plastic insert	1
74	YC1-3013650	Plastic insert	1
75	0209015	Screw M12X16 - GB/T80	2



TAV.3.0	PEDAL BOX	ED. 06/18
---------	-----------	-----------

ITEM	PART NUMBER	DESCRIPTION	QTY	REMARK
1	02010011	Screw GB/T5783/M6X12	1	
2	02010013	Screw GB/T5783/M6X16	2	
3	02010016	Screw GB/T5782/M6X50	1	
4	02010026	Screw GB/T5783/M8X16	3	
5	02020033	Screw GB/T70.1/M6X20	11	
6	02040003	Nut GB/T889.1/M6	4	
7	02040004	Nut GB/T889.1/M8	1	
8	02040094	Nut GB/T6172.1/M6	2	
9	02050006	Washer GB/T97.1/6	14	
10	02050007	Washer GB/T96/6	1	
11	02050008	Washer GB/T97.1/8	3	
12	02050011	Washer GB/T97.1/10	1	
13	02050013	Washer GB/T97.1/12	1	
14	02060027	Screw GB/T818/M5X20	2	
15	02070032	Screw GB/T845/ST3.5X13	9	
16	02070034	Screw GB/T845/ST2.9X6.5	2	
17	02080014	Washer GB/T955/8	1	
18	02120001	Seeger GB/T894.1/12	2	
19	02130003	Pin GB/T879.1/4X25	3	
20	03050014	Plug ZG1/8	2	
21	03060013	Silencer PSS-01	2	
22	03060024	Tee quick union 8	1	
23	03060059	Silencer PSL-01	3	
24	03060136	QUICK T UNION 8-1/8	1	
25	03060137	90° quick union 8-1/8	1	
26	03060141	Quick union 6-1/8	2	

TAV.3.0	PEDAL BOX	ED. 06/18
---------	-----------	-----------

27	03060142	Quick union 8-1/8	3
28	03060145	Quick tee union 8-1/8	1
29	03090168	O-ring 9X4	18
30	05050091	Control switch	1
31	YC1-3001583	Valve body	3
32	YC1-3001584	Valve spacer	15
33	YC1-3001585	Valve flange	3
34	YC1-4299913	Double cam	1
35	YC1-4299912	Connection rod	1
36	YC1-4197629	Nylon washer	1
37	YC1-3013333	Pedal return spring	3
38	C00A000001	Pedal Control Spring	1
39	YC1-3002157	Pedal A	1
40	YC1-3002159	Pedal B	2
41	YC1-3002161	Pedal box base	1
42	YC2-3002160	Pedal C	1
43	YC2-4299910	Forked leaf spring	1
44	C34B820002	Connection rod	1
45	C34B820001	Switch support	1
46	YC1-3007953	Bush	2
47	YC1-3015342	Support	1
48	YC1-3099910	Connection rod guide	1
49	YC2-3003095	Pedal alignment pin	1
50	YC1-3007598	Valve pin 3	1
51	YC1-3002442	Valve pin 1	2
52	C11A611000S	Bead breaker valve unit	1
53	202W-2002529	Turntable valve unit	1

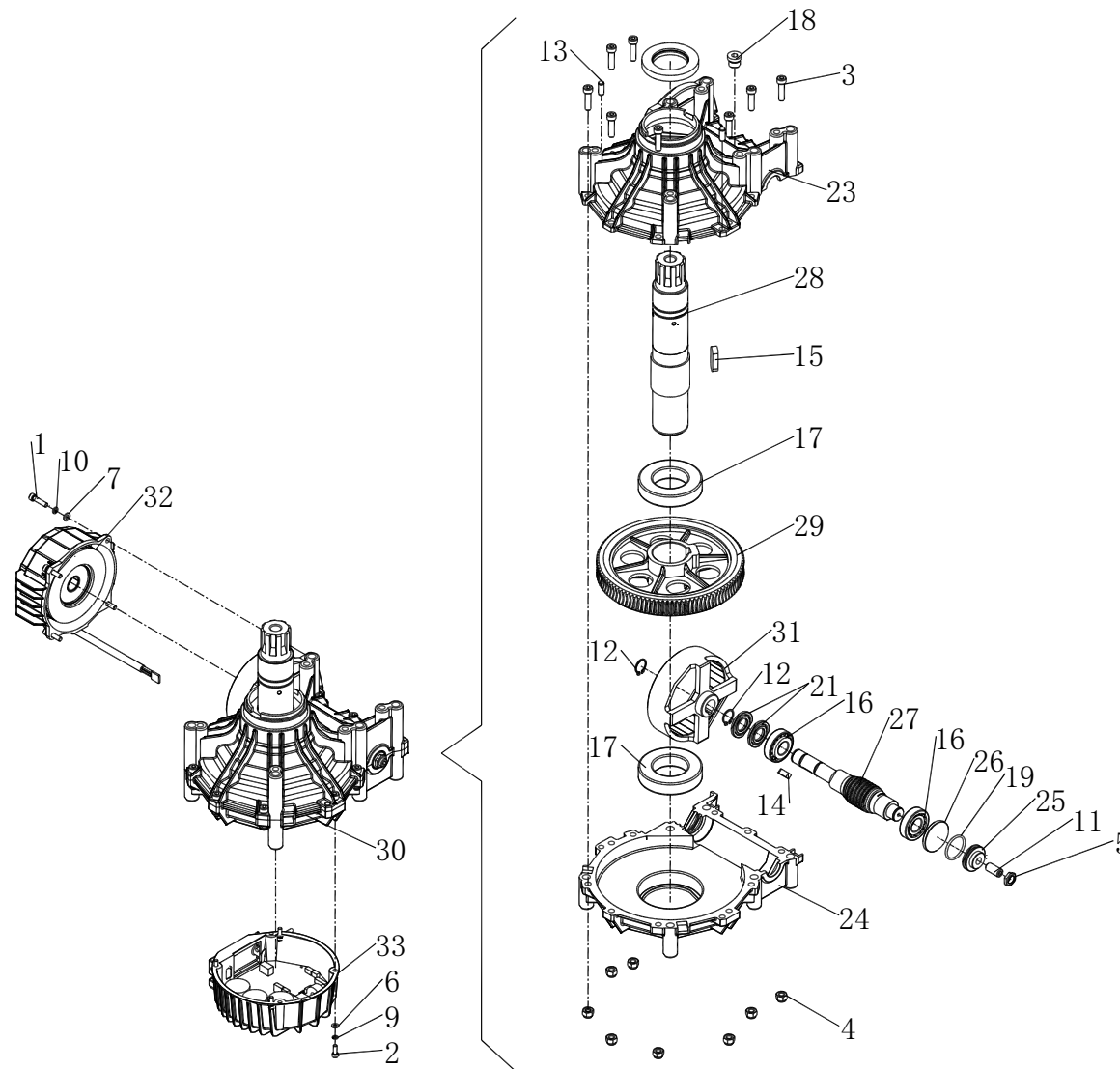
TAV.3.0	PEDAL BOX	ED. 06/18
---------	-----------	-----------

54

202W-2002531

Tilting control valve unit

1



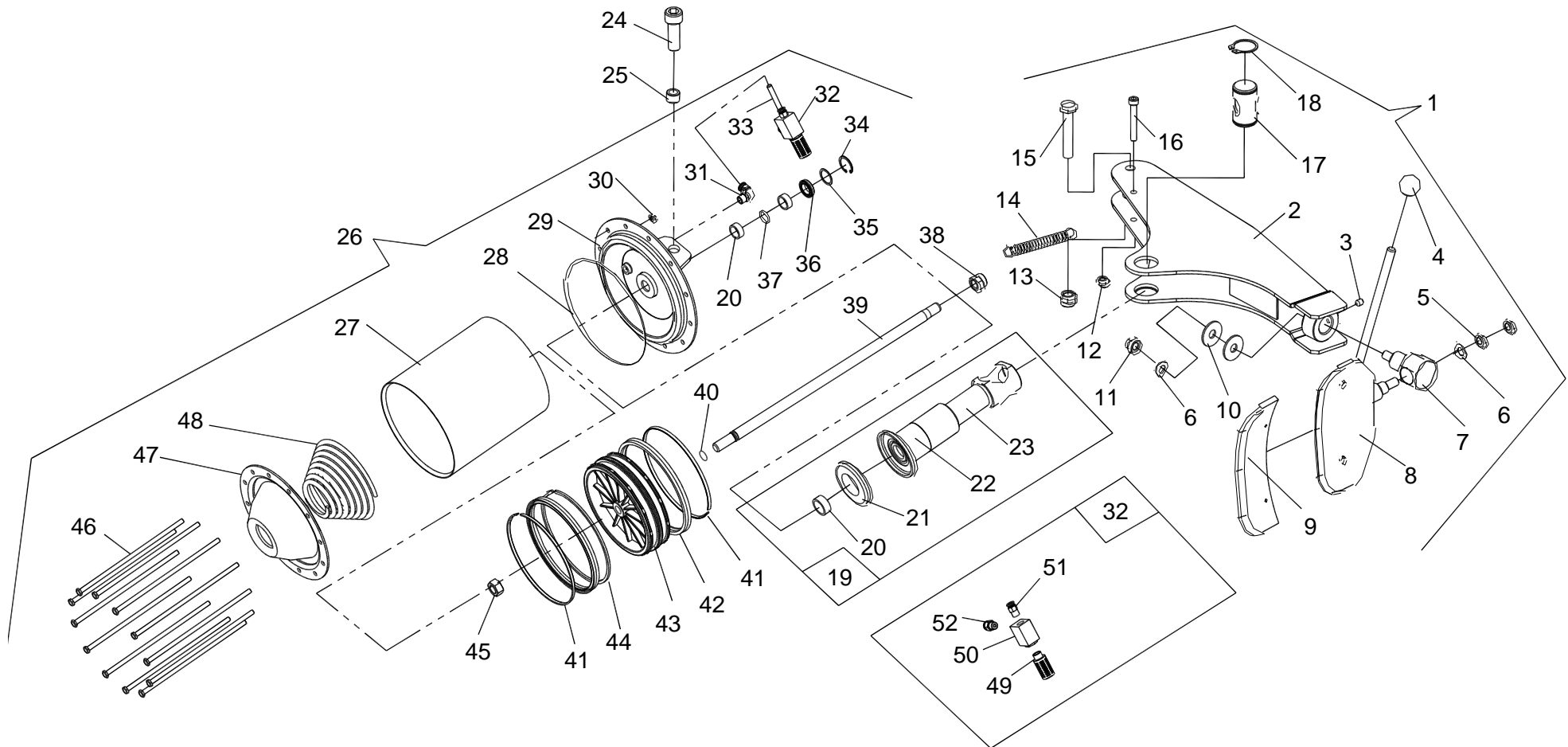
ITEM	PART NUMBER	DESCRIPTION	QTY
1	02020034	Screw GB/T70.1/M6X25	4
2	02020038	Screw GB/T70.1/M5X14	4
3	02020049	Screw GB/T70.1/M8X30	8
4	02040004	Nut GB/T889.1/M8	8
5	02040016	Nut GB/T6172.1/M12	1
6	02050004	Washer GB/T97.1-1985/5	4
7	02050006	Washer GB/T97.1/6	4
8	02060058	Screw GB/T9074.4/M5X10	1
9	02080003	Washer GB/T93/5	4
10	02080005	Washer GB/T93/6	4
11	02090016	Screw GB/T77/M12X25	1
12	02120005	Seeger GB/T894.1/20	2
13	02130011	Pin GB/T119.1/8X20	2
14	02130028	Tab GB/T1096/6X20	1
15	02130191	Tab GB/T1096/14X40	1
16	02140007	Bearing 30204	2
17	02140084	Bear 6210-2RS	2
18	03050099	Oil plug M16X1.5	1
19	03090115	O-ring 38X3.1	1
20	03130061	Seal 25X52X8	1
21	03130107	Seal 40x20X5	2
22	05080019	Plug HP-22	1
23	C24Y610001	Upper cover	1
24	C24Y610002	Lower cover	1
25	C24Y610007	Back cover	1
26	C24Y610006	Fastening plate	1
27	C24Y610004	Shaft	1

TAV.4.0

MOTOR – REDUCTION GEAR GROUP

ED. 06/18

28	C24Y610005L	Helical gear shaft	1
29	C24Y610003	Helical gear	1
30	C24Y600000	Reduction gear Unit	1
31	C24Y611000	Motor rotor assembly	1
32	C24Y620000	Motor stator assembly	1
33	C24Y630000	Motor control assembly	1

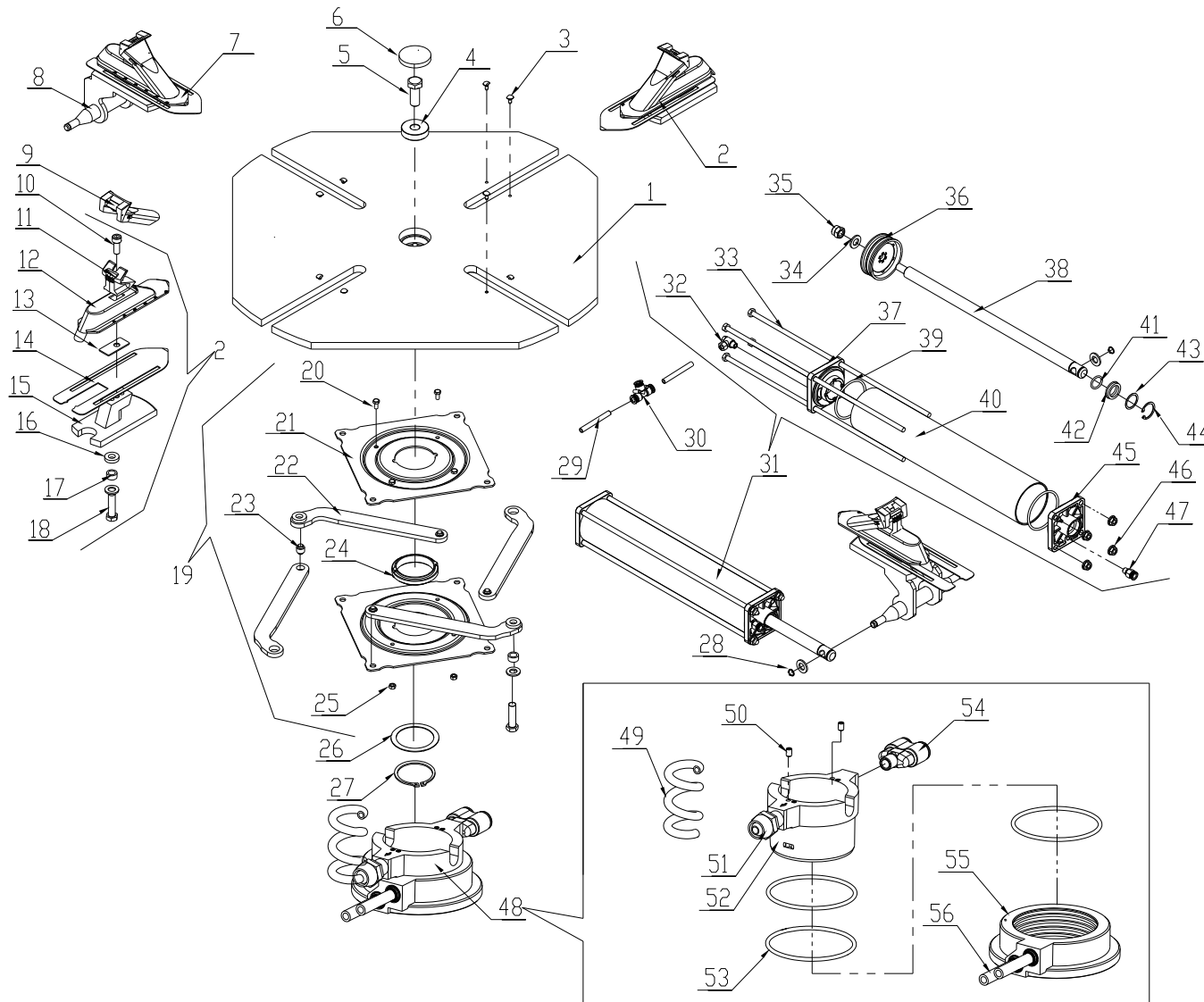


TAV.5.0	BEAD BREAKER	ED. 06/18
---------	--------------	-----------

ITEM	PART NUMBER	DESCRIPTION	QTY	REMARK
1	C26C400000	Bead breaker arm assembly	1	
2	C26C400100	Bead break arm	1	
3	0209044	Screw M10X12	1	
4	YC1-4299952	Ball	1	
5	0204013	Nut M14 - GB/T6172.1	2	
6	0211015	Elastic washer D.14	2	
7	YC2-3010293	Pivot	1	
8	YC1-2412271	Bead breaker arm	1	
9	YC1-3013240	Protection cover	1	
10	0205016	Washer Φ 14	2	
11	0204006	Self-locking nut M14 - GB/T889.1		
12	0204005	Self-locking nut M10 - GB/T889.1	1	
13	0204008	Self-locking nut M16 - GB/T889.1	1	
14	YC1-3000114A	Arm spring	1	
15	0201099	Screw M16X90 - GB/T5782	1	
16	0202057	Screw M10X70 - GB/T70.1	1	
17	YC1-3008990	Pivot pin	1	
18	0212008	Seeger D.40 - GB/T894.1	2	
19	C08C410000	Adjusted limit stroker	1	
20	0305041	Guide ring 67X9.5X2	3	
21	C08C410002	Rubber limit	1	
22	C08C410100	Shaft sleeve	1	
23	C08C410001	Shaft	1	
24	0202071	Screw M12X35 - GB/T70.1	2	
25	YC1-3015573	Bush	2	
26	C00AQ300000	Bead breaker cylinder	1	
27	C207010006	Cylinder liner	1	

TAV.5.0	BEAD BREAKER	ED. 06/18
---------	--------------	-----------

28	0309104	O-ring 195X3.55	2
29	C207010100	Front flange	1
30	0204025	Flange nut M8 - GB/T6177.1	12
31	0306032	90° quick union 8-1/4	2
32	C00AQ22000	Quick discharge valve unit	1
33	0306097	Rilsan hose 8X5 L=700	1
34	0211004	Seeger D.30 - GB/T893.1	1
35	YC1-4398146	Washer	1
36	0606016	Scraper 20X30X7	1
37	0606004	O-ring 20X2.75	1
38	0204009	Self-locking nut M18 - GB/T889.1	1
39	YC2-3007852-B	Piston rod	1
40	0309084	O-ring 16X2.65	1
41	C207010004	Seal 188X200X12	2
42	C207010001	Guiding ring	1
43	C207010002	Piston	1
44	C207010008	Seal support ring	2
45	0203022	Nut M18X1.5 - GB/T6171	1
46	02010032	Screw M8X M8X255	12
47	C00AQ20001	Back flange	1
48	C00AQ20002	Spring	1
49	03060310	Silencer PSL-03	1
50	03060292	Valve body	1
51	03060144	quick union Φ 8 1/4	1
52	03060143	quick union Φ 10 1/4	1



TAV.6.0	SELF-CENTERING TURNTABLE	ED. 06/18
---------	--------------------------	-----------

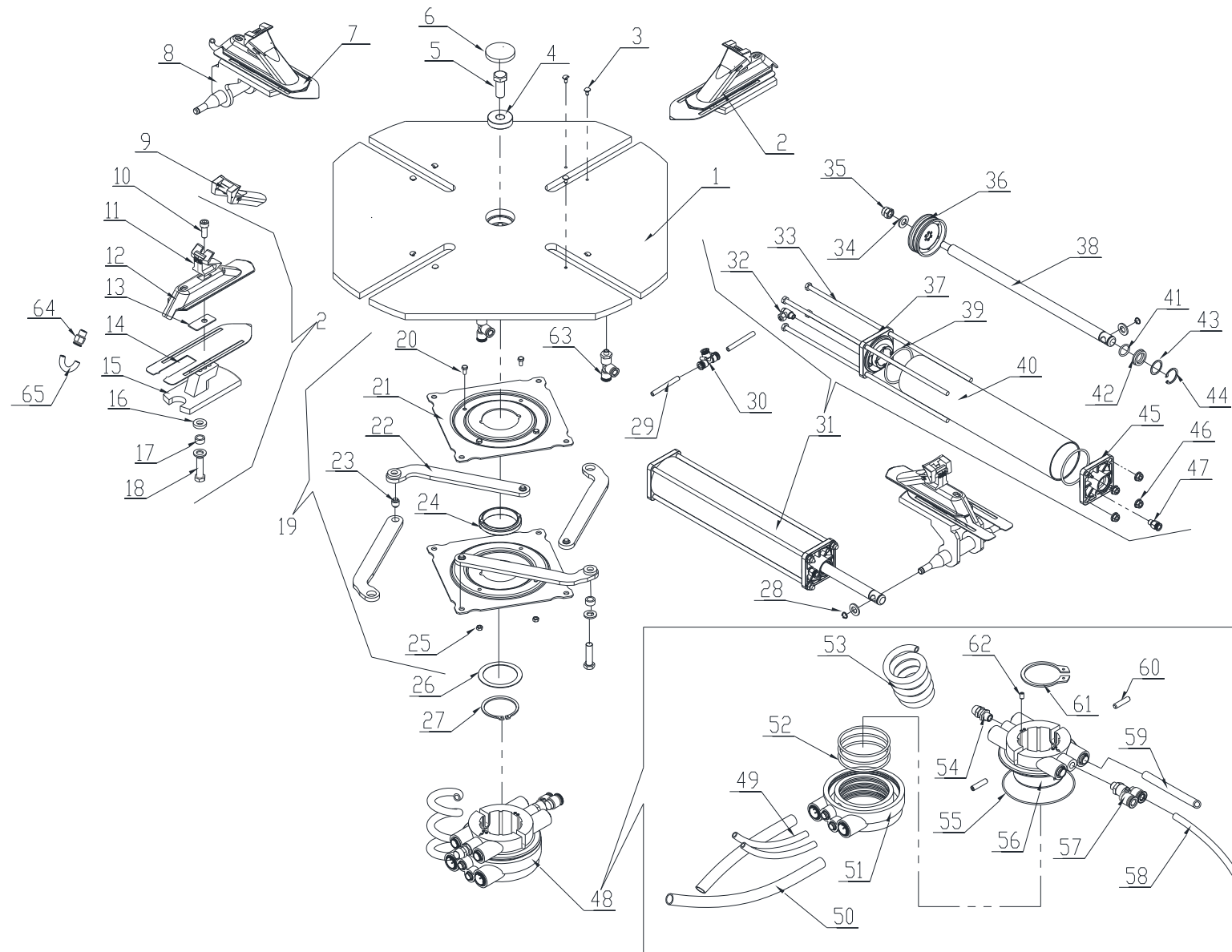
ITEM	PART NUMBER	DESCRIPTION	QTY	REMARK
1	C26B610000	Turntable	1	
2	C26B600200	Slide guide assembly	2	
3	0215027	Rivet $\phi 5.05 \times 15.5$	8	
4	YC1-3009778	Washer	1	
5	0201100	Screw M16X1.5X40 - GB/T5786	1	
6	YC1-3000062	Turntable cap	1	
7	C26B600300	Slide guide assembly	2	
8	YC1-2415756	Slide guide	2	
9	YC1-3001468	Clamp cover	4	
10	0202055	Screw M10X1.25X25 - GB/T70.1	4	
11	YC1-3002297	Oversize clamp	4	
12	YC1-3006255	Slide	4	
13	104-3015858	Spacer	4	
14	104-3015171-B	Turntable plate	4	
15	YC1-2412860	Slide	2	
16	YC1-3006879	Spacer	4	
17	YC1-3006880	Connection rod spacer	4	
18	0201143	Screw M12X45	4	
19	104-2007001	Turntable flange assembly	1	
20	0201011	Screw M6X12	4	
21	YC1-3006869	Turntable flange	2	
22	104-3011876-A	Connecting plate	4	
23	YC1-3006878	Shaft	4	
24	YC1-3007420	Shaft sleeve	1	
25	0203004	Nut M6 - GB52	4	
26	YC1-3006869-A	Connection rod spacer	1	
27	0212011	Seeger D.65 - GB/T894.1	1	

TAV.6.0	SELF-CENTERING TURNTABLE	ED. 06/18
---------	--------------------------	-----------

28	0212001	Seeger D.12 - GB/T894.1	4	
29	0306097	Rilsan hose 8X5 L=140	1	
30	0306022	Quick T union D.8	1	Plastic
31	C26B600100	Turntable cylinder	2	
32	0306016	union Φ 8 G1-8	2	
33	0201034	Screw M8x371	4	
34	0205013	Washer D.12 - GB/T97.1	10	
35	0204007	Nut M12 - GB/T889.1	2	
36	YC1-4198856	Piston	2	
37	YC1-3015023A	Flange	2	
38	YCP-3008859	Piston rod	2	
39	0606007	O-ring 75X3.1 - GB/T1235	4	
40	YC1-3008042	Cylinder liner	2	
41	0606004	O-ring 20X2.75 - GB/T3452.1	2	
42	0606016	Scraper 20X30X7	2	
43	YC1-4398146	Washer	2	
44	0211004	Seeger D.30 - GB/T893.1	2	
45	YC1-3015024A	Flange	2	
46	0204025	Nut M8 - GB/T6177.1	8	
47	0306045	Quick union 8-1/8	2	Plastic
48	YC1-2003000	Rotation union	1	
49	0306103	Spiral hose ϕ 8X5 (black)	1	
50	0209043	Screw M4X6 - GB/T77	4	
51	0306069	Rotation union 8-1/8	1	
52	YC1-4298956-2	Inner element of rotation union	1	
53	0309066	O-ring 60X2.65	3	
54	0306001	Quick T union 8-1/8	1	

TAV.6.0	SELF-CENTERING TURNTABLE	ED. 06/18
---------	--------------------------	-----------

55	YC1-2003001	Outer element of rotation union	1
56	0306097	Rilsan hose 8X5 L=1000	2
57	0306097	Rilsan hose 8X5 L=350	2



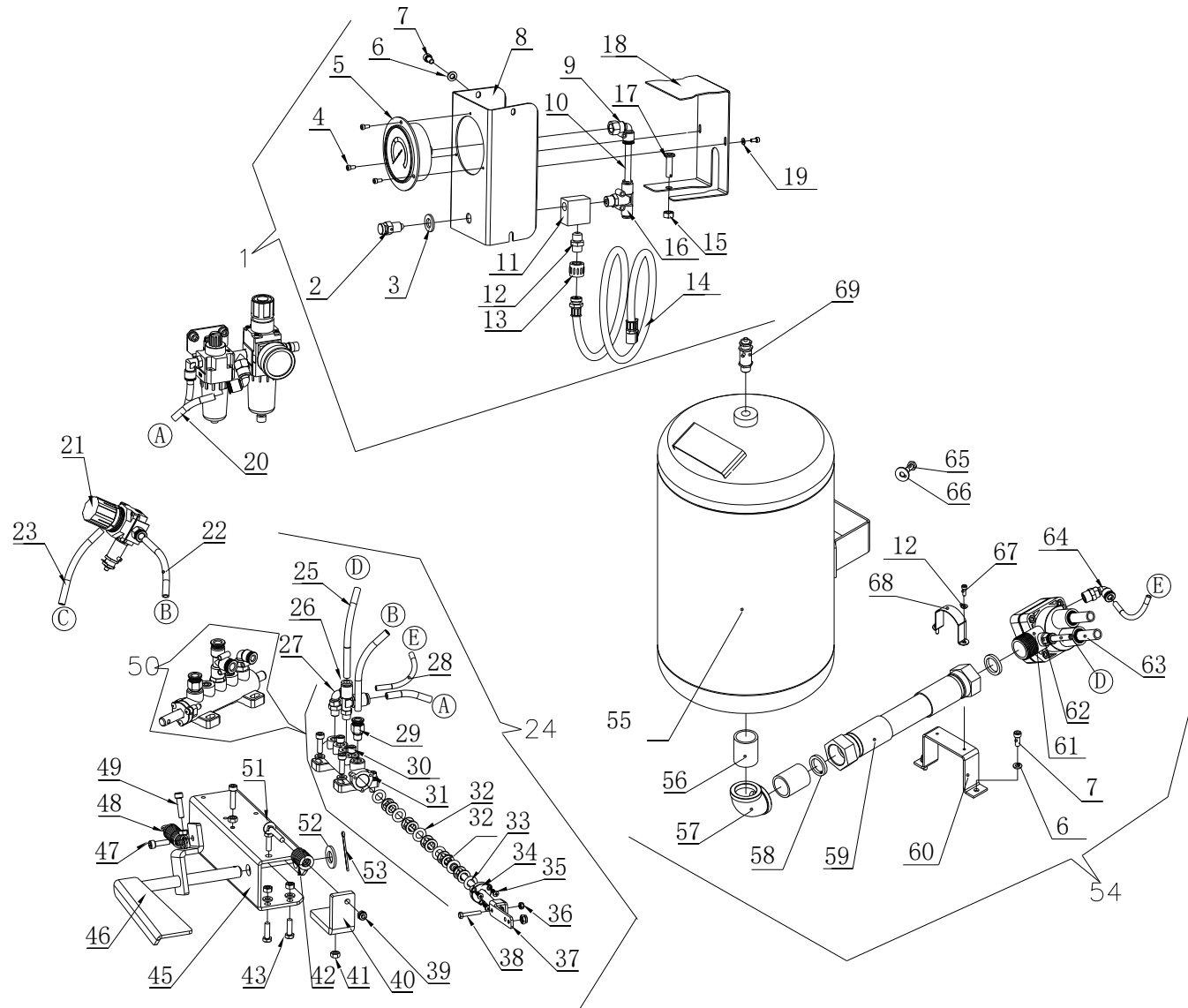
TAV.7.0	SELF-CENTERING TURNTABLE (GT)	ED. 06/18
---------	-------------------------------	-----------

ITEM	PART NUMBER	DESCRIPTION	QTY	REMARK
1	C26B610000	Turntable	1	
2	104-2007002	Slide guide assembly	2	
3	0215027	Rivet $\phi 5.05 \times 15.5$	8	
4	YC1-3009778	Washer	1	
5	0201100	Screw M16X1.5X40 - GB/T5786	1	
6	YC1-3000062	Turntable cap	1	
7	104-2007003	Slide guide assembly	2	
8	YC1-2415756	Slide guide	2	
9	YC1-3001468	Clamp cover	4	
10	0202055	Screw M10X1.25X25 - GB/T70.1	4	
11	YC1-3002297	Oversize clamp	4	
12	YC2-2407387	Slide	4	
13	104-3015858	spacer	4	
14	104-3015171-B	Turntable plate	4	
15	YC1-2412860	Slide guide	2	
16	YC1-3006879	Spacer	4	
17	YC1-3006880	Connection rod spacer	4	
18	0201143	Screw M12X45	4	
19	104-2007001	Turntable flange assembly	1	
20	0201011	Screw M6X12 - GB/T5783	4	
21	YC1-3006869	Turntable flange	2	
22	104-3011876-A	Connecting plate	4	
23	YC1-3006878	Shaft	4	
24	YC1-3007420	Shaft sleeve	1	
25	0203004	Nut M6 - GB52	4	
26	YC1-3006869-A	Connection rod spacer	1	
27	0212011	Seeger D.65 - GB/T894.1	1	

TAV.7.0	SELF-CENTERING TURNTABLE (GT)	ED. 06/18
---------	-------------------------------	-----------

28	0212001	Seeger D.12	4	
29	0306097	Rilsan hose 8X5 L=140	1	
30	0306022	Quick T union D.8	1	plastic
31	C26B600100	Turntable cylinder	2	
32	0306016	Union Φ 8 G1-8	2	
33	0201034	Screw M8x371	4	
34	0205013	Washer D.12 - GB/T97.1	10	
35	0204007	Nut M12 - GB/T889.1	2	
36	YC1-4198856	Piston	2	
37	YC1-3015023A	Flange	2	
38	YCP-3008859	Piston rod	2	
39	0606007	O-ring 75X3.1 - GB/T1235	4	
40	YC1-3008042	Cylinder liner	2	
41	0606004	O-ring 20X2.75 - GB/T3452.1	2	
42	0606016	Scraper 20X30X7	2	
43	YC1-4398146	Washer	2	
44	0211004	Seeger D.30 - GB/T893.1	2	
45	YC1-3015024A	Flange	2	
46	0204025	Nut M8 - GB/T6177.1	8	
47	0306045	Quick union 8-1/8	2	
48	YC2-4298992	Rotation union GT	1	
49	0306097	Rilsan hose 8X5 L=1000	2	
50	0306098	Rilsan hose 14X11 L=1100	2	
51	YC2-4298992A	Outer element of rotation union	1	
52	0309065	O-ring 63X2.65 - GB/T3452.1	3	
53	0306103	Spiral hose ϕ 8X5 (black)	1	L=10 coil
54	0306069	Rotation union 8-1/8	1	

55	0309067	O-ring 90X1.8 - GB/T3452.1	1
56	YC2-4298992B	Inner element of rotation union	1
57	0306001	Quick T union 8-1/8	1
58	0306097	Rilsan hose 8X5 L=350	2
59	0306094	Rilsan hose 10X6.5 L=320	4
60	0209018	Screw M6X25 - GB/T77	2
61	0212009	Seeger D.50 - GB/T894.1	1
62	0209043	Screw M4X6 - GB/T77	4
63	0306135	Quick T union 10-1/8	4
64	0306143	Connection rod spacer 10-1/4	4
65	0306094	Rilsan hose 10X6.5 L=350mm	4



TAV.8.0	GT INFLATING DEVICE	ED. 06/18
---------	---------------------	-----------

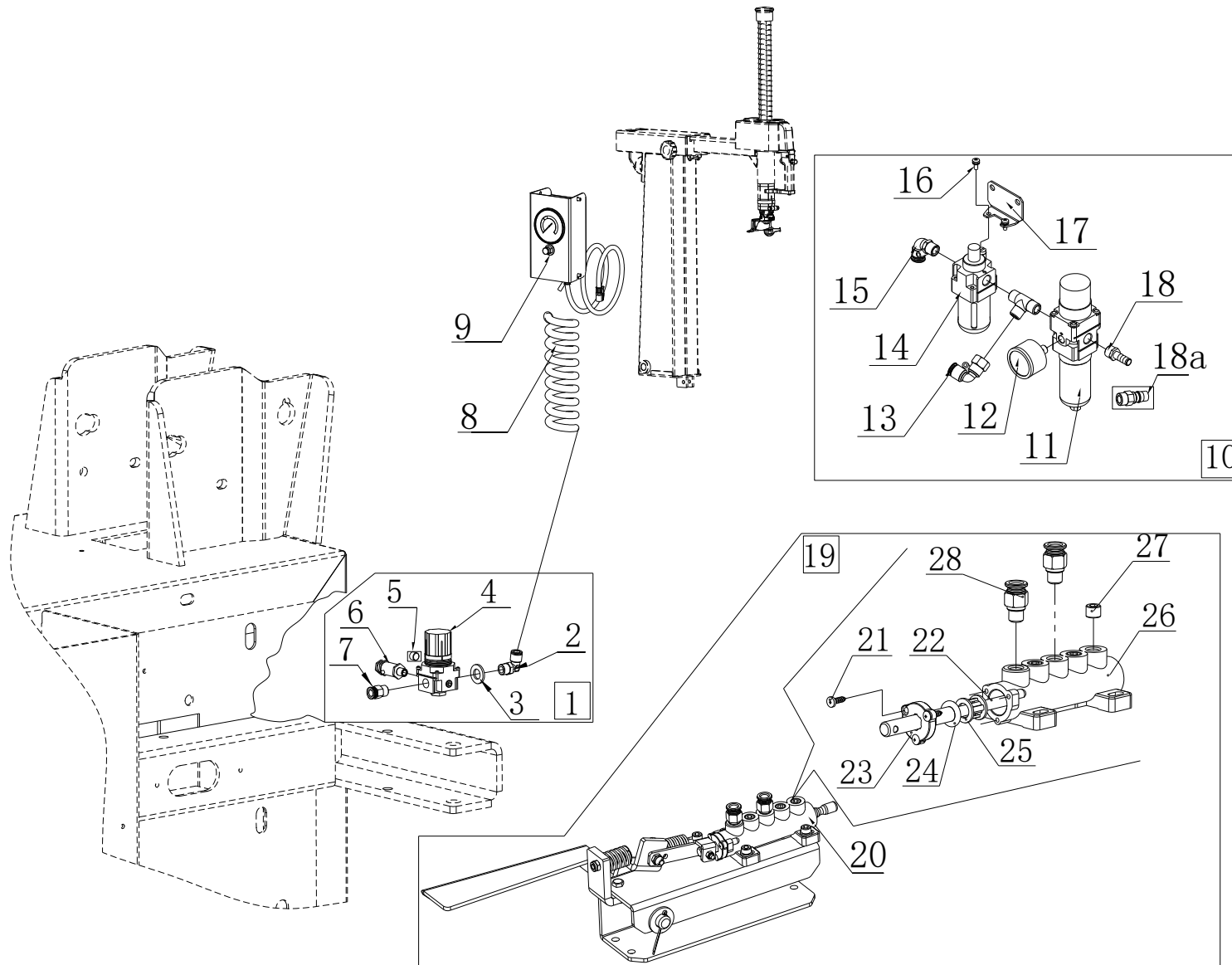
ITEM	PART NUMBER	DESCRIPTION	QTY	REMARK
1	YC2-2014217A	GT pneumatic unit	1	
2	YC2-4299354	Relief valve	1	
3	0205013	Washer D.12 - GB/T97.1	1	
4	0202008	Screw M4X8 - GB/T70.1	5	
5	0305058	Pressure gage Φ 80-1/4	1	
6	0205006	Washer D.6 - GB/T97.1	10	
7	0202030	Screw M6X10 - GB/T70.1	4	
8	YC2-3015108A	GT front plate	1	
9	0306039	Quick union 8-1/4	1	
10	0306096	Rilsan hose 8X5.5 L=70	1	
11	YC2-3015111A	Tee union	1	
12	0306156	Plug G1-4	1	
13	0306017	Clasp nut G1/4	1	
14	0306110	GT control unit hose 1/4 L=1500	1	
15	0203029	Nut M8 - GB/T6170	1	
16	0306019	Quick tee union 8-1/4	1	
17	0511124	GT hose holder M8	1	
18	YC2-3015109	GT back plate	1	
19	0205002	Washer D.4 - GB/T97.1	2	
20	0306097	Rilsan hose 8X5 L=1000	1	
21	YC2-2010781-1	Safety valve unit 3.5bar	1	
22	0306097	Rilsan hose 8X5 L=400	1	
23	0306097	Rilsan hose 8X5 L=850	1	
24	YC2-2012486	GT valve system	1	
25	0306097	Rilsan hose 8X5 L=500	1	
26	0306021	Quick Tee union 8-1/8	1	plastic
27	0306036	Quick union 6-1/8	1	plastic

TAV.8.0	GT INFLATING DEVICE	ED. 06/18
---------	---------------------	-----------

28	0306095	Rilsan hose 6X4 L=400	2	
29	0306045	Quick union 8-1/8	1	plastic
30	0305014	Plug1/8	2	
31	YC1-3001583	Valve body	1	
32	YC1-4299000	O-ring	6	
33	YC1-3001584	Valve spacer	5	
34	YC2-3001849	Valve pin 4	1	
35	YC1-3001585	Valve flange	1	
36	0207032	Self-tapping screw ST3.5X13 - GB/T845	3	
37	0204001	Locking nut M4 - GB/T889.1	1	
38	YC2-3001853	Valve control lever	1	
39	0201002	Screw M4X25	1	
40	0204003	Self-locking nut M6 - GB/T889.1	2	
41	YC2-3008005	Limit stop screw support	1	
42	0203004	Nut M6 - GB52	6	
43	YC2-4298942	Spring	1	
44	0201014	Screw M6X20 - GB/T5783	4	
45	YC2-3010287	Valve unit support	1	
46	YC2-2410288	GT pedal	1	
47	0202033	Screw M6X20 - GB/T70.1	5	
48	YC2-3000141	Spring	1	
49	0202034	Screw M6X25 - GB/T70.1	2	
50	YC2-2009718	GT valve unit	1	
51	YC2-4398890	Spring bolt	1	
52	0205017	Washer D.14 - GB/T97.1	1	
53	0213018	Split pin 2.5X40 - GB/T91	1	
54	C24E7100000	Air tank unit	1	

TAV.8.0	GT INFLATING DEVICE	ED. 06/18
---------	---------------------	-----------

55a	YC2-2402899A	Air tank (CE)	1	
55b	YC2-2402899	Air tank	1	
56	0511133	Plug 1"X50	2	
57	0511076	Elbow union 1"	1	
58	C04A301013	Seal	4	
59	0306055	Air hose	1	
60	YC2-3075301	Support	1	
61	YC2-4198531	Pneumatic valve	1	
62	0306144	Quick union 8-1/4	1	plastic
63	0306018	Rilsan hose 14X10 L=1100	2	
64	0306138	90° quick union 6-1/4	1	plastic
65	0201011	Screw M6X12 - GB/T5783	2	
66	0205007	Washer D.6 - GB/T96	2	
67	0202004	Screw M4X12 - GB/T70.1	2	
68	0511130	Clamp	1	
69	0306004	Safety valve 1/4 10bar	1	



TAV.9.0	INFLATOR+LUBRICATION GROUP	ED. 06/18
---------	----------------------------	-----------

ITEM	PART NUMBER	DESCRIPTION	QTY	REMARK
1	YC2-2010781-1	Safety valve unit 3.5bar	1	
2	0306037	90° quick union 8-1/4	1	plastic
3	0205013	Washer D.12 - GB/T97.1	1	
4	0307039	Pressure regulator 3.5bar	1	
5	0305014	Plug1/8	1	
6	0306106	Pressure relief valve G1/8 5.5bar	1	
7	0306044	Quick union 8-1/4	1	plastic
8	0306157	Spiral hose 8X5.5 L=1500	1	
9	YC2-2014217A	Pressure gauge	1	
10	C00AQ52000	SMC lubricator + filter regulator	1	
11	306278	AW20-F02C-2R-A filter	1	
12	306052	Pressure gauge C1-G36-10-01	1	G1/8
13	306039	90° quick union 8-1/4	1	
14	306187	AL20-F02-CR-A lubricator	1	
15	0306032	90° quick union 8-1/4	1	
16	206059	Screw M4X8	2	
17	C00AQ51001	Support	1	
18a	306008	Union 8-1/4	1	
18b	0306112	Quick union 8-1/4	1	
19	C24E720000	Air inflator control unit	1	
20	C24E721000	Valve unit	1	
21	0207032	Self-tapping screw ST3.5X13 - GB/T845	3	
22	YC2-3001849	Valve pin	1	
23	YC1-3001585	Valve flange	1	
24	YC1-4299000	O-ring	6	
25	YC1-3001584	Valve spacer	5	
26	YC1-3001583	Valve body	1	

TAV.9.0

INFLATOR+LUBRICATION GROUP

ED. 06/18

27	0305014	Plug 1/8	2
28	0306045	Quick union 8-1/8	2