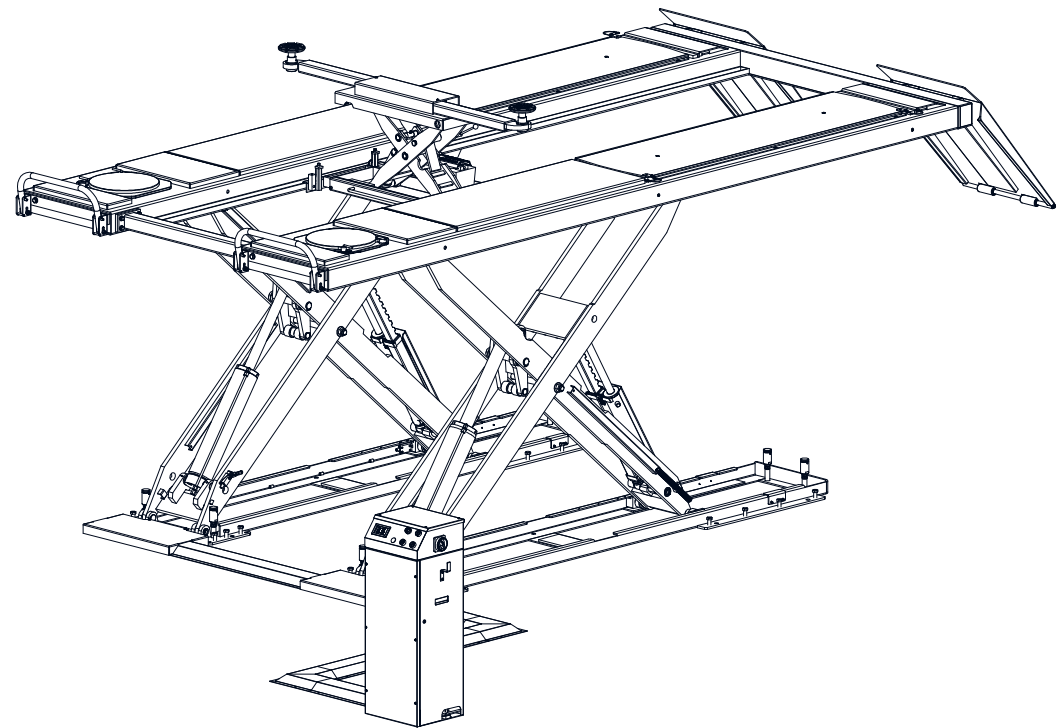
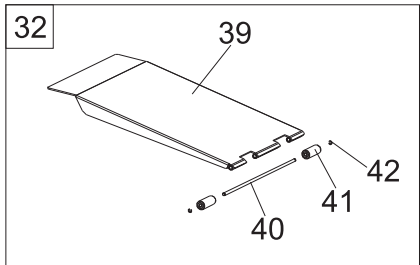
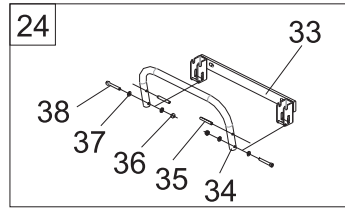
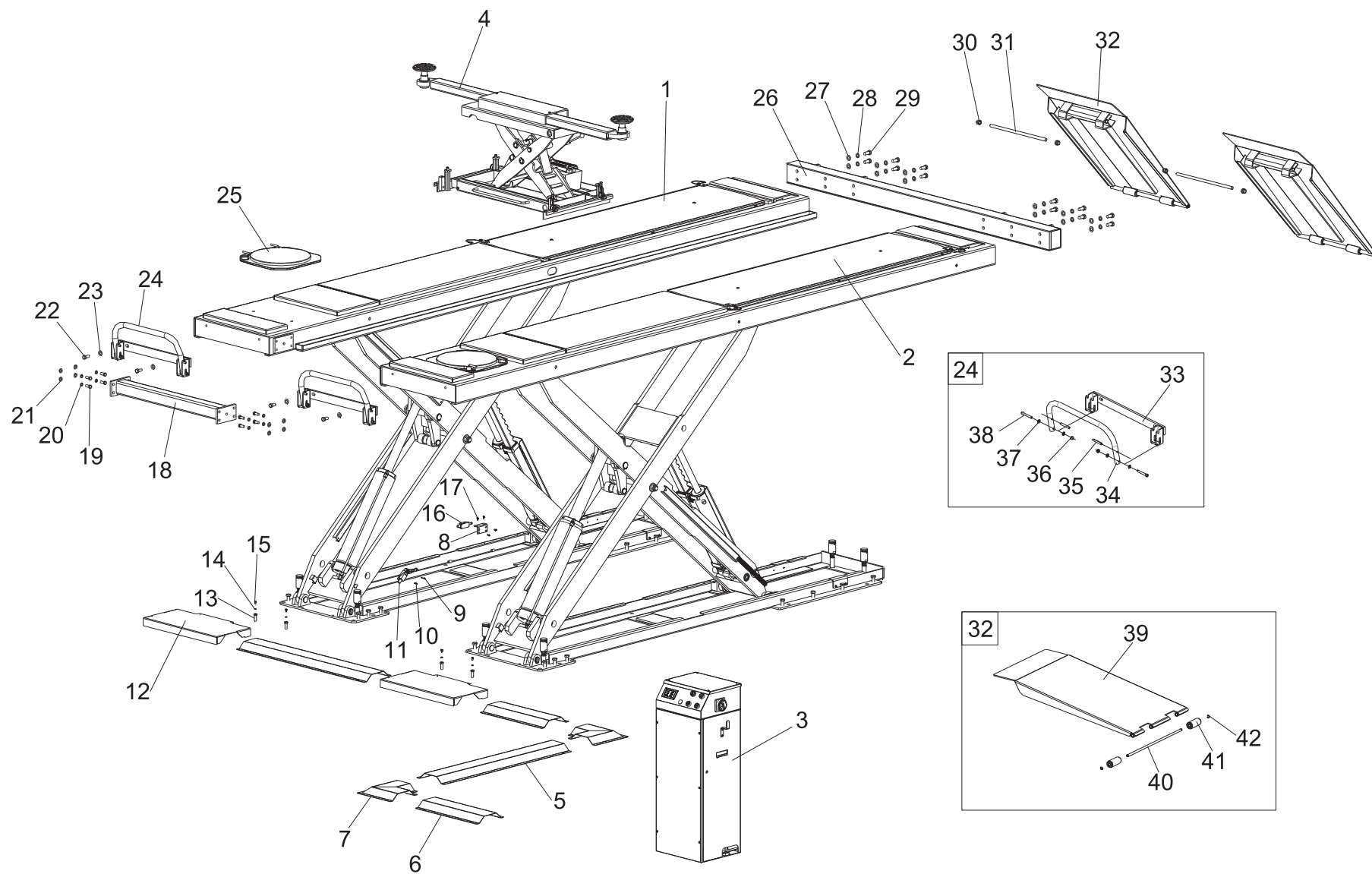


**PART CATALOGUE**

**ΠΓΗ-8140T**

**SCISSOR LIFT FOR  
ALIGNMENT**



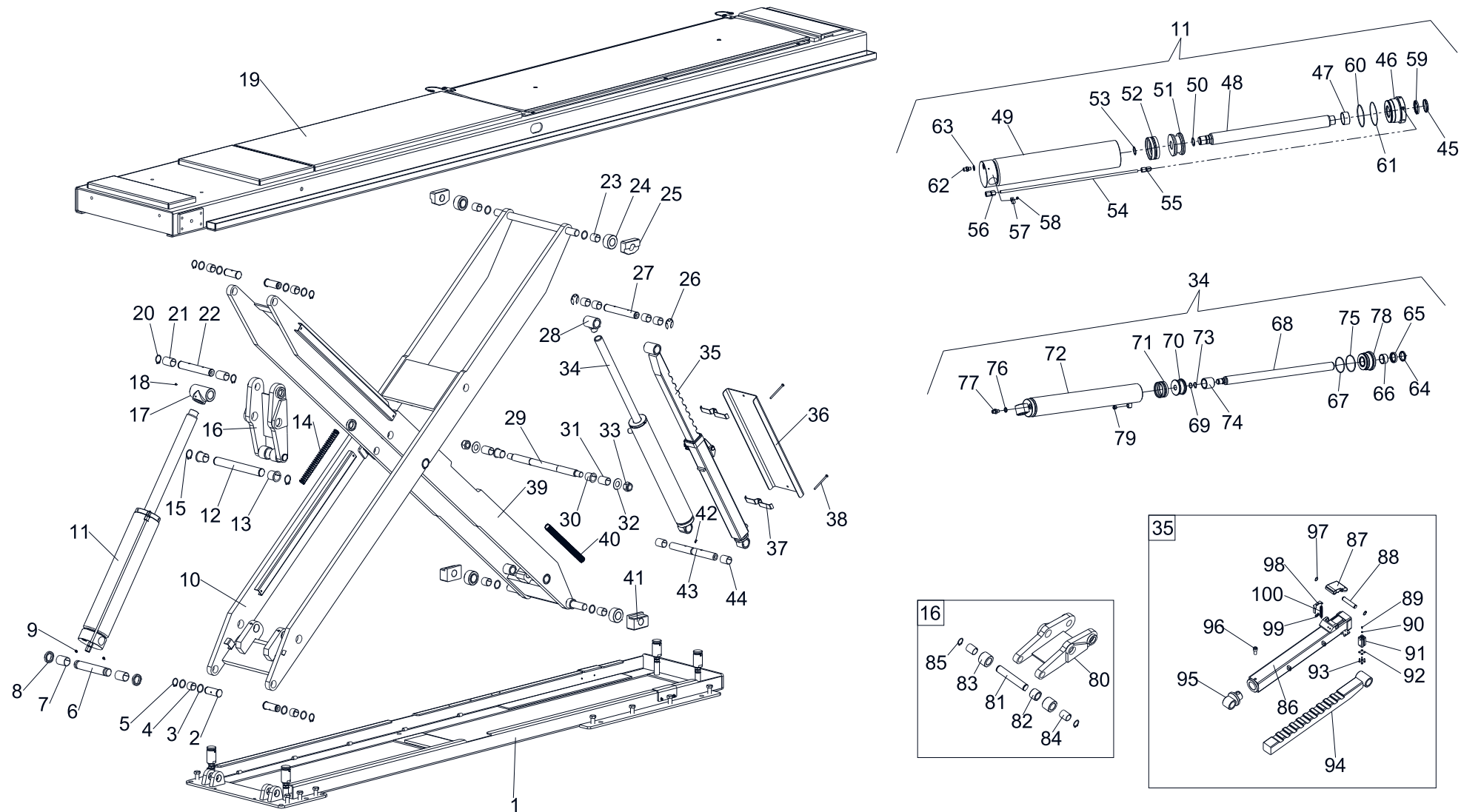


TAV.0	LIFT	ED. 12/19
-------	------	-----------

ITEM	PART NO.	DESCRIPTION	QTY	REMARK
1	J64W10000	Runway P1	1	
2	J64W20000	Runway P2	1	
3	8240D17000	Control unit	1	
4	J07Q	Jacking beam HJ-75B	1	
5	8240TX-000862	Front hose cover for on-ground installation	2	
6	8240TX-000863	Hose corner cover for on-ground installation	2	
7	8240B-008640	Hose cover for on-ground installation	2	
8	J64A000004	Support	1	
9	0202005	Screw M4X25 - GB/T70.1	1	
10	0202004	Screw M4X12 - GB/T70.1	1	
11	0505018	Safety position limit switch 8108	1	
12	J64A000001	Front cover	2	
13	J64A000002	Special bolt	4	
14	0205006	Washer D.6 - GB/T97.1	4	
15	0202030	Screw M6X10 - GB/T70.1	4	
16	0505036	Limit switch 8112	1	
17	0202015	Screw M5X10 - GB/T70.1	4	
18	J61K600000	Front beam	1	
19	0201061	Screw M12X30 - GB/T5783	8	
20	0208009	Spring washer D.12 - GB/T93	8	
21	0205013	Washer D.12 - GB/T97.1	8	
22	0201153	Screw M14X30 - GB/T5783	4	
23	0205017	Washer D.14 - GB/T97.1	4	
24	HJ-SG4000	Wheel stop	2	
25	0511208	Turntable	2	
26	J64A500000	Rear beam	1	
27	0205020	Washer D.16	12	

TAV.0	LIFT	ED. 12/19
-------	------	-----------

28	0208011	Spring washer D.16	12
29	0201097	Screw M16X35 - GB/T5783	12
30	0204008	Self-locking nut M16	4
31	J64A000003	Ramp shaft	2
32	J64A400000	Long ramp for on-ground installation	2
33	HJ-SG4100	Support	1
34	J61A300001	Wheel stop bar	1
35	0213092	Pin 10X70	2
36	0204005	Self-locking nut M10	2
37	0205011	Washer D.10 - GB/T97.1	4
38	0202057	Screw M10X70 - GB/T70.1	2
39	J64A410000	Ramp	1
40	8200B6-380002	Roller pin	1
41	8200B6-380001	Roller	2
42	0211023	Seeger D.9	2



TAV. 1.0	RUNWAY P1	ED. 12/19
----------	-----------	-----------

ITEM	PART NO.	DESCRIPTION	QTY	REMARK
1	J64A110000	Base	1	
2	J64A100003	Cylinder pin	4	
3	J61A000022	Steel shim	12	
4	0210013	Self-lubricated bush 3024	4	
5	0212021	Seeger D.30 - GB/T894.2	4	
6	J64A100005	Cylinder lower shaft	1	
7	0210027	Self-lubricated bush 3550	2	
8	J64A100009	Bush	2	
9	0209025	Screw M8X12 - GB/T79	2	
10	J64A120000	Outer scissor arm	1	
11	J64AY30000	Slave hydraulic cylinder	1	
12	J64A100007	Shaft	1	
13	0210076	Bush SF-1/3540F	2	
14	J64A100013	Hose protective spring	1	
15	0212022	Seeger D.35 - GB/T894.1	2	
16	J64A160000	Lifting lever assembly	1	
17	J64A100010	Shaft support	1	
18	0209010	Screw M6X10 - GB/T78	1	
19	J64W140000	P1 platform assembly	1	
20	0212007	Seeger D.32 - GB/T894.1	2	
21	0210044	Bush SF-1/3250	2	
22	J64A100006	Cylinder upper shaft	1	
23	0210015	Bush SF-1/3030	8	
24	J64A100011	Roller	4	
25	J64A100002	Upper slider	2	
26	0211019	Seeger D.24	2	
27	J61A100009	Cylinder upper shaft	1	

TAV. 1.0	RUNWAY P1	ED. 12/19
----------	-----------	-----------

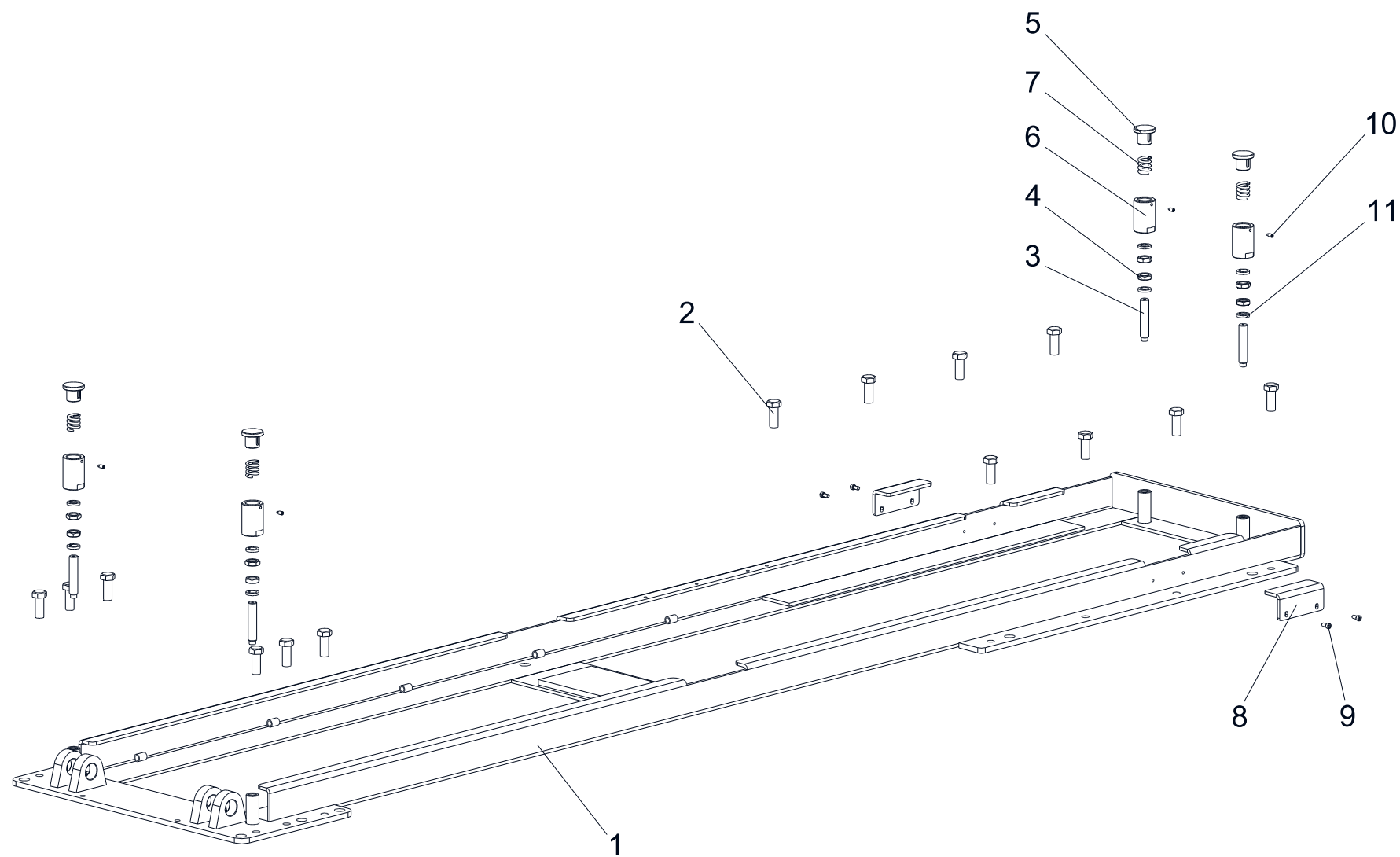
28	J61AY38003	Shaft support	1
29	J64A100004	Middle shaft	1
30	0210092	Bush SF-1/3035F	2
31	0210048	Bush SF-1/3045	2
32	J64A100012	Shim	2
33	0204026	Nut M24	2
34	J64AY60000	Assistant hydraulic cylinder	1
35	J64A170000	Safety rack	1
36	J64A100014	Cylinder cover	1
37	J61A000500	Support	2
38	0206067	Screw M6X90	2
39	J64A130000	Inner scissor arm	1
40	J64A100015	Hose coil protector	1
41	J64A100001	Lower slider	2
42	0209002	Screw M6X10	1
43	J64A100008	Lower shaft	1
44	0210016	Bush SF-1/3040	2
45	0311010	Scraper 50X58X5/6.5	1
46	GJ350-100B-2	Cylinder guiding cover	1
47	0305006	Guide ring 50X25X2.5	1
48	J64AY38003	Piston shaft	1
49	J64AY31000	Cylinder liner	1
50	0309115	O-ring 38X3.1	1
51	GJ350-100B-5	Piston	1
52	0312003	Gasket 100X75X22.4	1
53	0212007	Seeger D.32 - GB/T894.1	1
54	J64AY28007	Pipe	1

55	0303079	Union	1
56	0303082	Union	1
57	C00A000016	Clip	1
58	0206030	Screw M5X8 - GB/T818	1
59	0310015	Sealing ring 50X60X6	1
60	0309079	O-ring 100X3.1	1
61	0309129	O-ring 100X2.0	1
62	0303065	Fitting 1/4	1
63	0313001	Washer 1/4	1
64	0311016	Scraper 36X44X5	1
65	0310031	Seal 36X46X8	1
66	0305008	Guide ring 36X20X2.5	1
67	0309050	O-ring 70X3.1	1
68	J64AY68001	Piston shaft	1
69	0309022	O-ring 24X2.4	1
70	YA-70-3	Piston	1
71	0312028	Gasket 70X58X20.5	1
72	J64AY61000	Cylinder liner	1
73	0212005	Seeger D.20 - GB/T894.1	1
74	J64AY68003	Spacer	1
75	0309039	O-ring 75X3.1	1
76	0313001	Washer 1/4	1
77	0303065	Fitting 1/4	1
78	J61AY28002	Cylinder guiding cover	1
79	0306086	Silencer	1
80	J64A161000	Lifting lever arm	1
81	J64A160001	Lever lower shaft	1



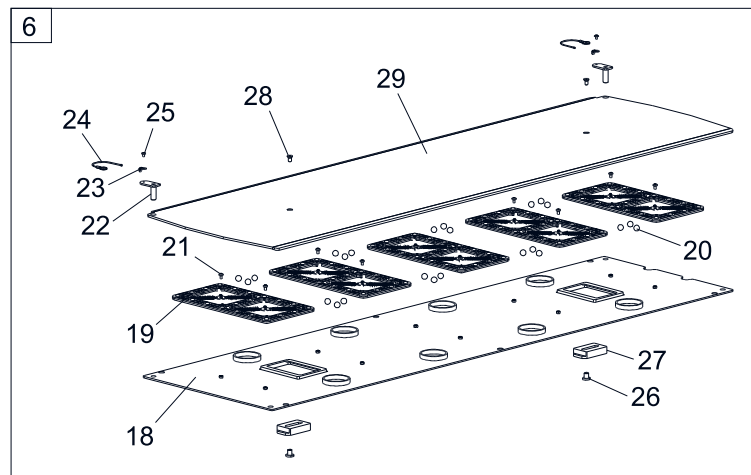
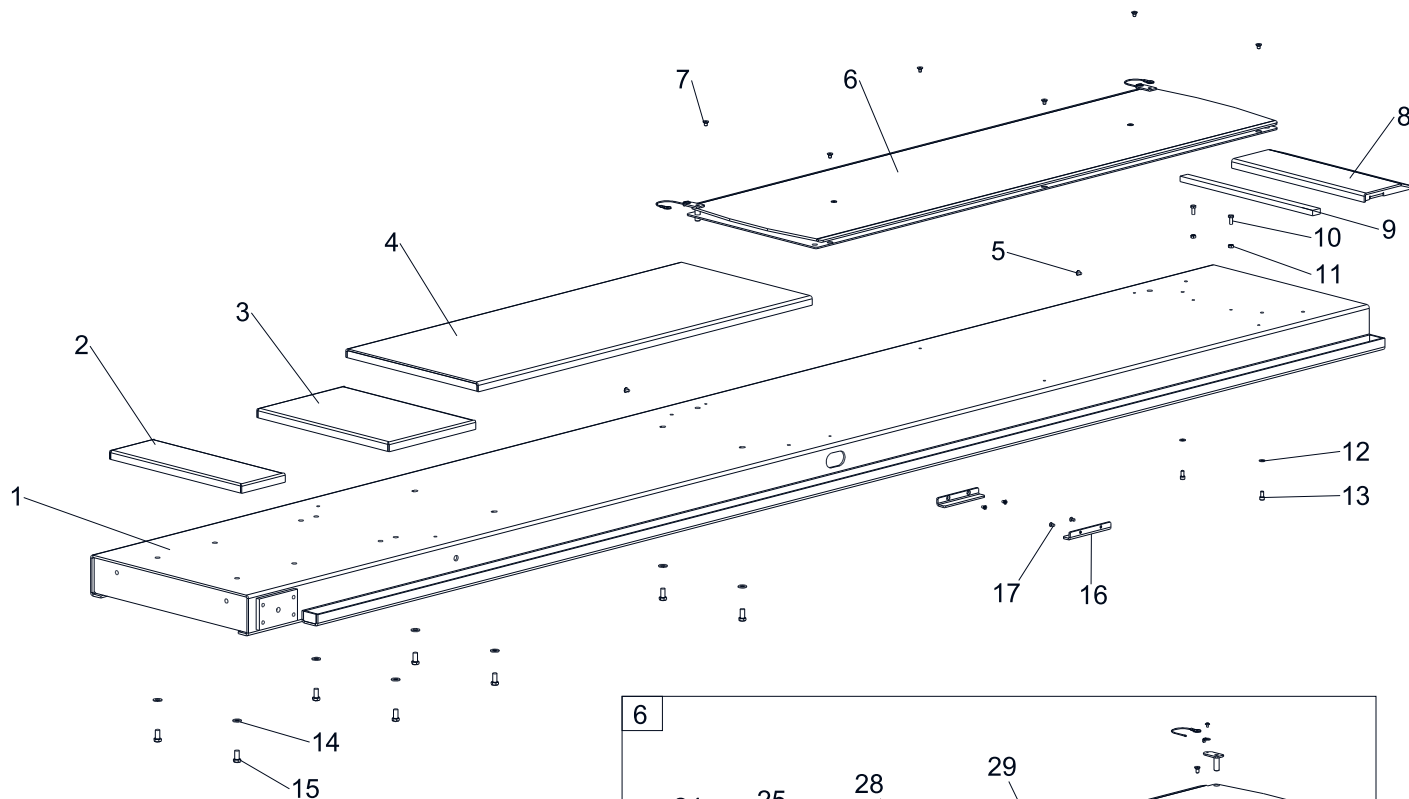
TAV. 1.0	RUNWAY P1	ED. 12/19
----------	-----------	-----------

82	J64A160003	Bush	1
83	J64A160002	Roller	2
84	0210016	Bush	2
85	0212021	Seeger D.30 - GB/T894.1	2
86	J64A171000	Safety lock box	1
87	J61A170002	Safety lock	1
88	J61A170001	Shaft	1
89	0206009	Screw M3X6 - GB/T818	1
90	0203001	Nut M3 - GB/T52	1
91	0306172	Air cylinder	1
92	0205002	Washer D.4 - GB/T97.1	4
93	0202011	Screw M4X16 - GB/T70.1	4
94	J64A172000	Safety rack	1
95	J61A173000	Shaft support	1
96	0202109	Screw M12X25 - GB/T70.1	1
97	0212002	Seeger D.16	2
98	J61A170004	Plate	1
99	0206030	Screw M5X8 - GB/T818	2
100	J63A332003	Spring	1



TAV. 1.1	BASE	ED. 12/19
----------	------	-----------

ITEM	PART NO.	DESCRIPTION	QTY	REMARK
1	J64A111000	Base	1	
2	0201130	Screw M16X40 - GB/T5783	14	
3	0209066	Screw M16X80 - GB/T79	4	
4	0204032	Jam nut M16	8	
5	8240B-01-07	Cap	4	
6	8240B-01-05	Bush	4	
7	ZJJ3-01-06	Spring	4	
8	J64A110001	Plate	2	
9	0202024	Screw M6X12 - GB/T70.1	4	
10	0209002	Screw M6X10 - GB/T79	4	
11	0208011	Spring washer D.16 - GB/T93	8	



TAV. 1.19	PPLATFORM ASSEMBLY	ED. 12/19
-----------	--------------------	-----------

ITEM	PART NO.	DESCRIPTION	QTY	REMARK
1	J64W141000	P1 Platform	1	
2	J64C140200	Spacer	1	
3	J64B140100	Spacer	1	
4	J64A143000	Turntable recess base plate	1	
5	0207043	Screw M6X10 - GB/T973	2	
6	J64A142000G	Slipping plate assembly	1	
7	0207041	Screw M8X12 - GB/T70.3	6	
8	J64A140400	Spacer	1	
9	J64A140001	Spacer	1	
10	0201042	Screw M8X20 - GB/T5783	2	
11	0203029	Nut M8 - GB/T6170	2	
12	0205008	Washer D.8 - GB/T97.1	2	
13	0202040	Screw M8X16 - GB/T70.1	2	
14	0205013	Washer D.12 - GB/T97.1	8	
15	0201078	Screw M12X25 - GB/T5783	8	
16	J64A140002	Plate	2	
17	0207052	Screw M6X12 - GB/T819.1	4	
18	J64A142100G	Base plate	1	
19	J63A332000	Roller gasket	5	
20	0215036	Nylon ball	24	
21	0206031	Screw M6X10 - GB/T818	10	
22	J64A142200G	Stop pin	2	
23	J61A142006	Fastening plate	2	
24	0604137	Cable D2.5X250	2	
25	0207040	Screw M5X8 - GB/T973	2	
26	J64A142005G	Pin	2	
27	J64A142004G	Slider	2	

TAV. 1.19	P1 PLATFORM ASSEMBLY	ED. 12/19
-----------	----------------------	-----------

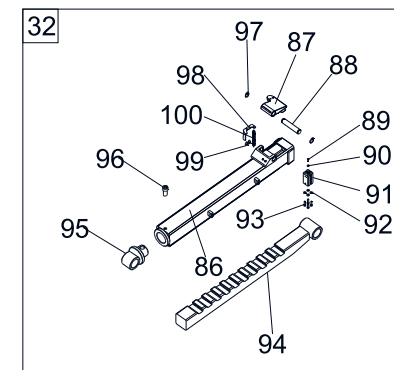
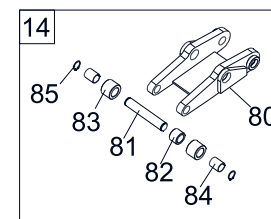
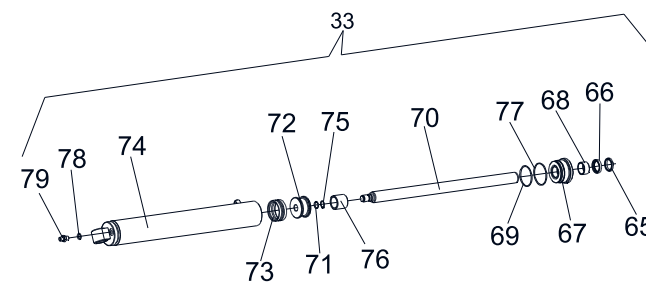
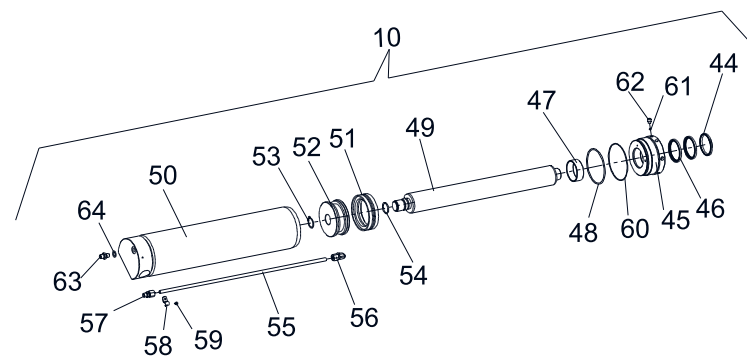
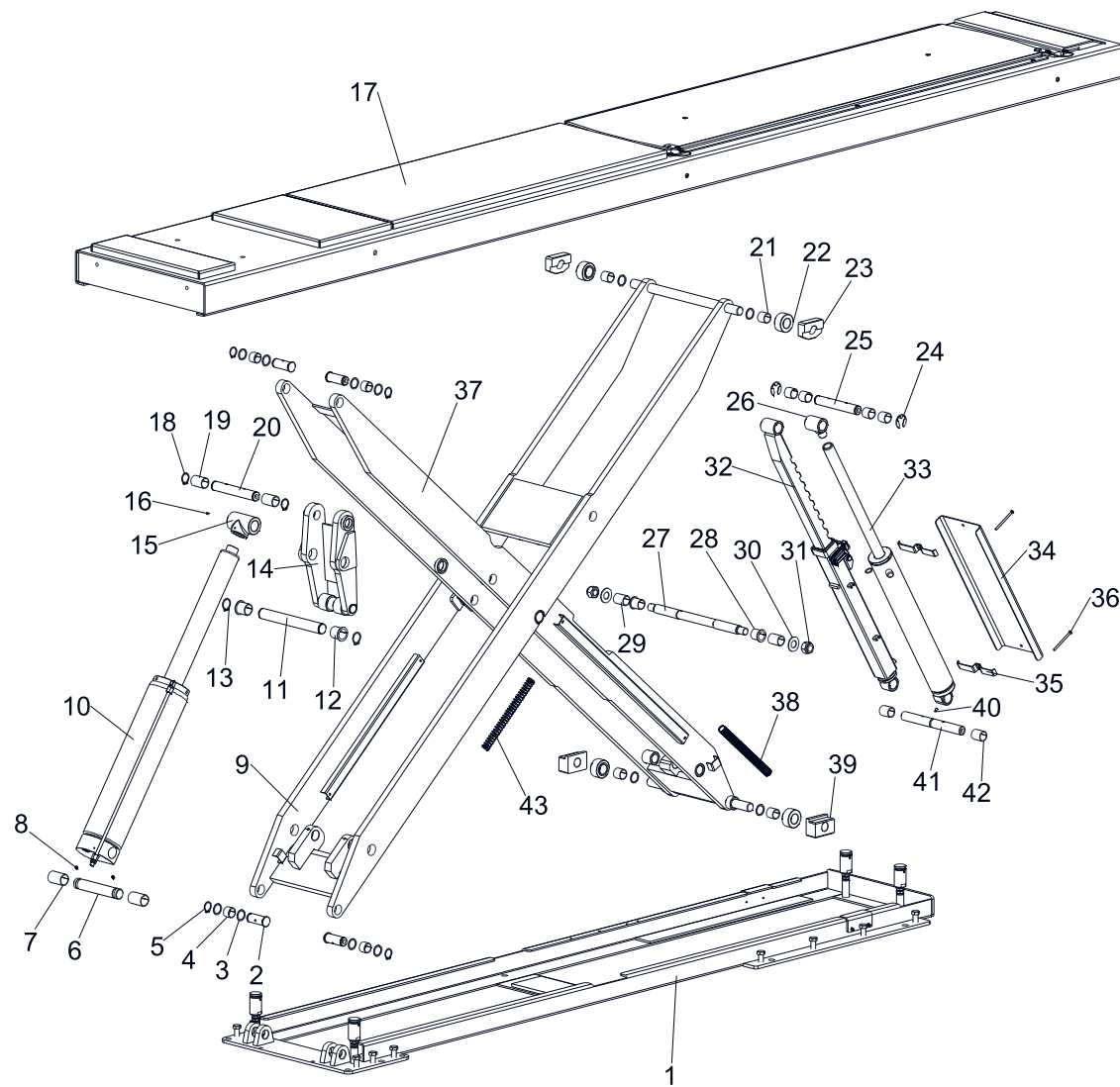
28	0207070	Screw M8X16 - GB/T70.3	2
29	J64A142001G	Slipping plate	1

TAV. 2.0

## RUNWAY P2

ED. 12/19

ITEM	PART NO.	DESCRIPTION	QTY	REMARK
1	J64A110000	Base	1	
2	J64A100003	Cylinder pin	4	
3	J61A000022	Steel shim	12	
4	0210013	Self-lubricated bush 3024	4	
5	0212021	Seeger D.30 - GB/T894.2	4	
6	J64A100005	Cylinder lower shaft	1	
7	0210028	Self-lubricated bush 3560	2	
8	0209025	Screw M8X12 - GB/T79	2	
9	J64A220000	Outer scissor arm	1	
10	J64AY20000	Master hydraulic cylinder	1	
11	J64A100007	Shaft	1	
12	0210076	Bush SF-1/3540F	2	
13	0212022	Seeger D.35 - GB/T894.1	2	
14	J64A160000	Lifting lever assembly	1	
15	J64A100010	Shaft support	1	
16	0209010	Screw M6X10 - GB/T78	1	
17	J64W240000	P2 platform assembly	1	
18	0212007	Seeger D.32 - GB/T894.1	2	
19	0210044	Bush SF-1/3250	2	
20	J64A100006	Cylinder upper shaft	1	
21	0210015	Bush SF-1/3030	8	
22	J64A100011	Roller	4	
23	J64A100002	Upper slider	2	
24	0211019	Seeger D.24	2	
25	J61A100009	Cylinder upper shaft	1	
26	J61AY38003	Shaft support	1	
27	J64A100004	Middle shaft	1	

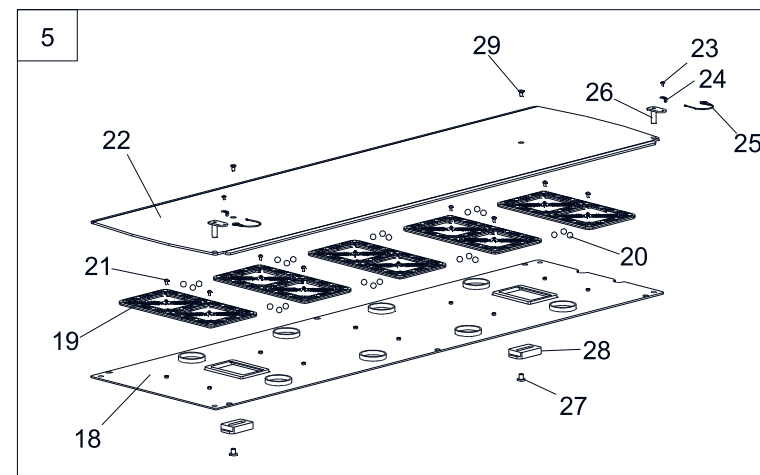
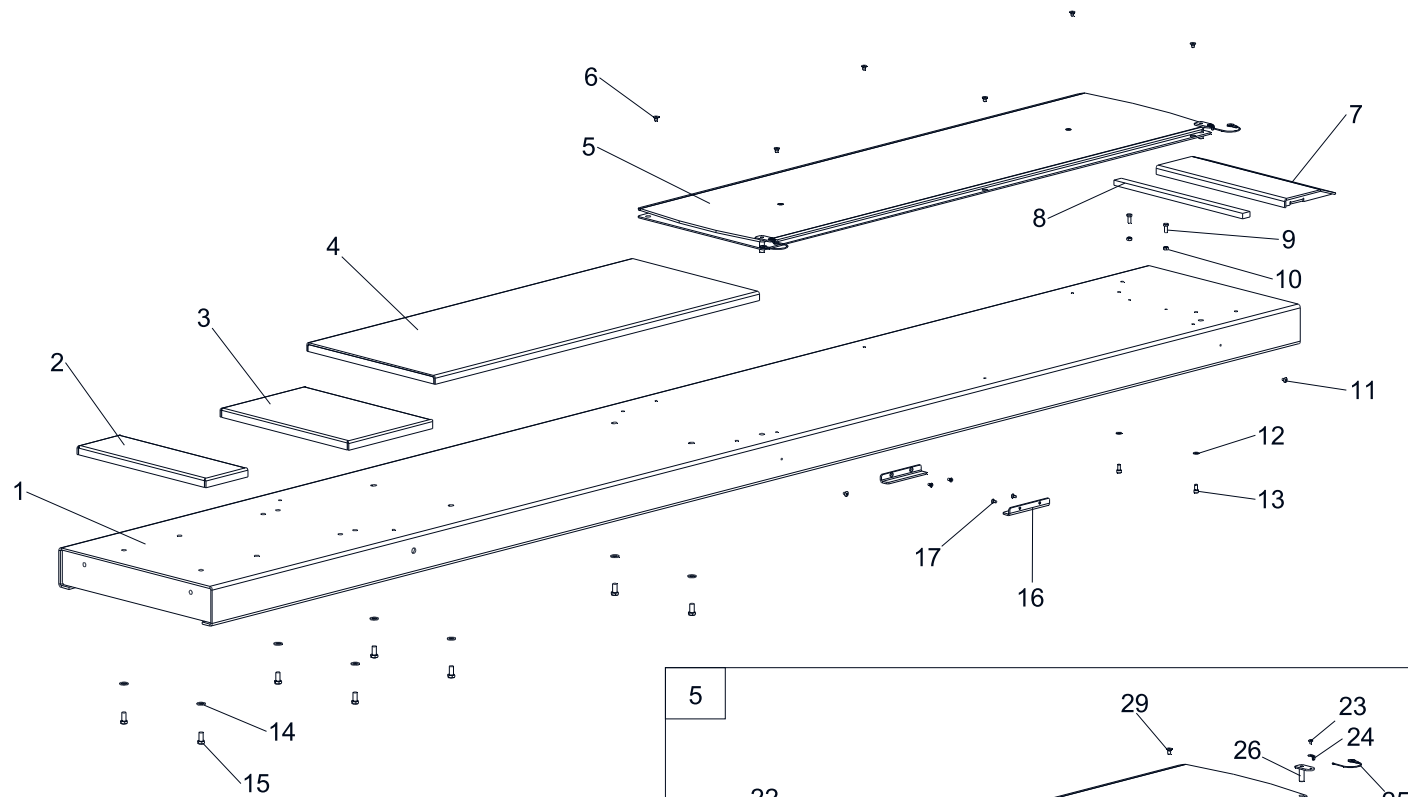




28	0210092	Bush SF-1/3035F	2
29	0210048	Bush SF-1/3045	2
30	J64A100012	Shim	2
31	0204026	Nut M24	2
32	J64A270000	Safety rack	1
33	J64AY70000	Assistant hydraulic cylinder	1
34	J64A100014	Cylinder cover	1
35	J61A000500	Support	2
36	0206067	Screw M6X90	2
37	J64A230000	Inner scissor arm	1
38	J64A100015	Hose coil protector	1
39	J64A100001	Lower slider	2
40	0209002	Screw M6X10	1
41	J64A100008	Lower shaft	1
42	0210016	Bush SF-1/3040	2
43	J64A100013	Hose protective spring	1
44	0311013	Scraper 67X75X5/6.5	1
45	GJ350-120A-2	Cylinder guiding cover	1
46	0310019	Sealing ring 67X77X6	2
47	0305006	Guide ring 67X25X2.5	1
48	0309132	O-ring 112X3.55	1
49	J64AY28003	Piston shaft	1
50	J64AY21000	Cylinder liner	1
51	0312007	Gasket 120X95X22.4	1
52	GJ350-120A-5	Piston	1
53	0212007	Seeger D.32 - GB/T894.1	1
54	0309115	O-ring 38X3.1	1

TAV. 2.0	RUNWAY P2	ED. 12/19
----------	-----------	-----------

55	J64AY28007	Pipe	1
56	0303079	Union	1
57	0303078	Union	1
58	C00A000016	Clip	1
59	0206030	Screw M5X8 - GB/T818	1
60	0309116	O-ring 120X2.0	1
61	0215059	Steel ball	1
62	8250-07D	Screw	1
63	0303065	Fitting 1/4	1
64	0313001	Washer 1/4	1
65	0311016	Scraper 36X44X5	1
66	0310031	Seal 36X46X8	1
67	J61AY28002	Cylinder guiding cover	1
68	0305008	Guide ring 36X20X2.5	1
69	0309050	O-ring 70X3.1	1
70	J64AY68001	Piston shaft	1
71	0309022	O-ring 24X2.4	1
72	YA-70-3	Piston	1
73	0312028	Gasket 70X58X20.5	1
74	J64AY71000	Cylinder liner	1
75	0212005	Seeger D.20 - GB/T894.1	1
76	J64AY68003	Spacer	1
77	0309039	O-ring 75X3.1	1
78	0313001	Washer 1/4	1
79	0303065	Fitting 1/4	1
80	J64A161000	Lifting lever arm	1
81	J64A160001	Lever lower shaft	1



TAV. 2.17

## P2 PLATFORM ASSEMBLY

ED. 12/19

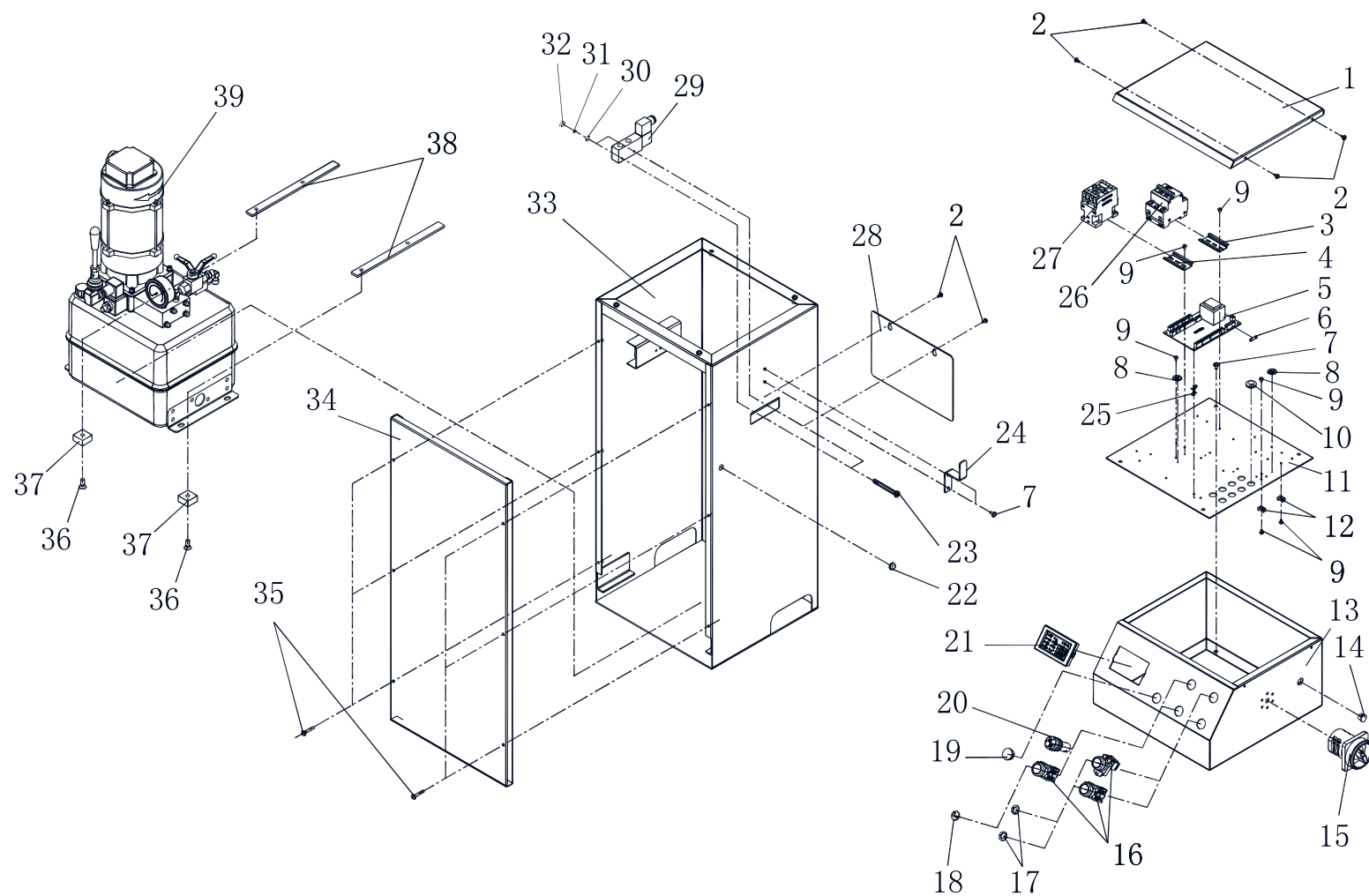
ITEM	PART NO.	DESCRIPTION	QTY	REMARK
1	J64W241000	P2 Platform	1	
2	J64C140200	Spacer	1	
3	J64B140100	Spacer	1	
4	J64A143000	Turntable recess base plate	1	
5	J64A242000G	Slipping plate assembly	1	
6	0207041	Screw M8X12 - GB/T70.3	6	
7	J64A140400	Spacer	1	
8	J64A140001	Spacer	1	
9	0201042	Screw M8X20 - GB/T5783	2	
10	0203029	Nut M8 - GB/T6170	2	
11	0207043	Screw M6X10 - GB/T973	2	
12	0205008	Washer D.8 - GB/T97.1	2	
13	0202040	Screw M8X16 - GB/T70.1	2	
14	0205013	Washer D.12 - GB/T97.1	8	
15	0201078	Screw M12X25 - GB/T5783	8	
16	J64A140002	Plate	2	
17	0207052	Screw M6X12 - GB/T819.1	4	
18	J64A142100G	Base plate	1	
19	J63A332000	Roller gasket	5	
20	0215036	Nylon ball	24	
21	0206031	Screw M6X10 - GB/T818	10	
22	J64A142001G	Slipping plate	1	
23	0207040	Screw M5X8 - GB/T973	2	
24	J61A142006	Fastening plate	2	
25	0604137	Cable D2.5X250	2	
26	J64A142200G	Stop pin	2	
27	J64A142005G	Pin	2	

TAV. 2.0	RUNWAY P2	ED. 12/19
----------	-----------	-----------

82	J64A160003	Bush	1
83	J64A160002	Roller	2
84	0210016	Bush	2
85	0212021	Seeger D.30 - GB/T894.1	2
86	J64A271000	Safety lock box	1
87	J61A270002	Safety lock	1
88	J61A170001	Shaft	1
89	0206009	Screw M3X6 - GB/T818	1
90	0203001	Nut M3 - GB/T52	1
91	0306172	Air cylinder	1
92	0205002	Washer D.4 - GB/T97.1	4
93	0202011	Screw M4X16 - GB/T70.1	4
94	J64A272000	Safety rack	1
95	J61A173000	Shaft support	1
96	0202109	Screw M12X25 - GB/T70.1	1
97	0212002	Seeger D.16	2
98	J61A170004	Plate	1
99	0206030	Screw M5X8 - GB/T818	2
100	J63A332003	Spring	1

TAV. 2.17	P2 PLATFORM ASSEMBLY	ED. 12/19
-----------	----------------------	-----------

28	J64A142004G	Slider	2
29	0207070	Screw M8X16 - GB/T70.3	2

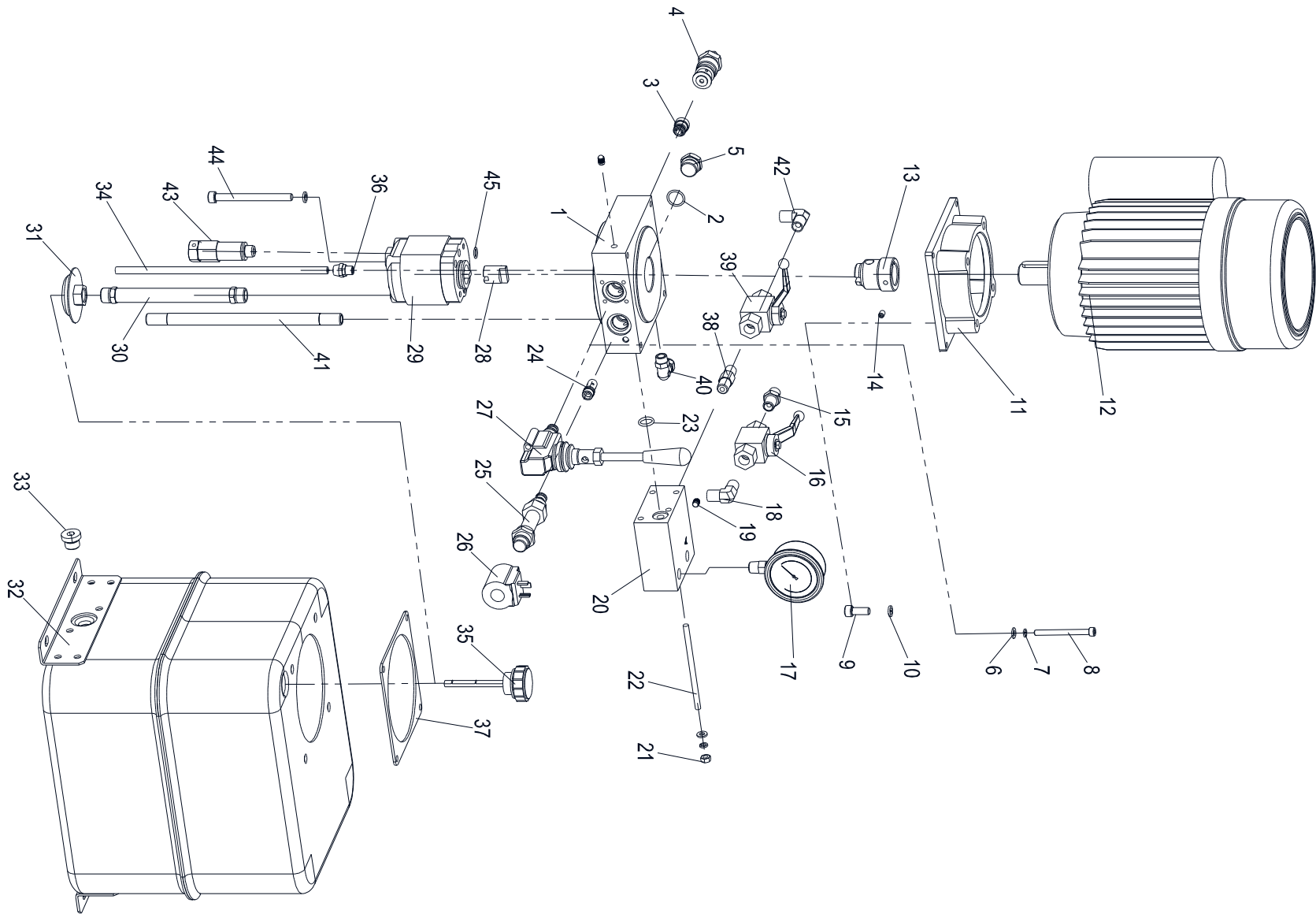


TAV. 3.0	CONTROL UNIT	ED. 12/19
----------	--------------	-----------

ITEM	PART NO.	DESCRIPTION	QTY	REMARK
1	J04A030002	Top cover	1	
2	0206059	Screw M4X8	6	
3	0508330	Guide DZ47 L=60mm	1	
4	0508330	Guide DZ47 L=45mm	1	
5	0507367	CPU board 102.1	1	
6	0504016	Fuse 1A(5X20)	3	
7	0206058	Screw M5X10	6	
8	0510380	Ground decal	2	
9	0206019	Screw M4X6 - GB/T818	10	
10	0508017	Cable relief GM-2314	8	
11	J04A110001	Support	1	
12	0508018	Holder HC-1(Φ4)	2	
13	J04A113000	Top box	1	
14	0508353	Plug HP-16	1	
15	0505022	Power switch HZ5-2-20A	1	
16	0502024	Pushbutton LAY37T-10	3	
17	0510196	Up decal	2	
18	0510196	Safety lock decal	1	
19	0508019	Plug HP-22	1	
20	0502021	Beeper AD16-22SM	1	
21	0507163	Function display 502D	1	
22	0508013	Cable relief GM-1710	1	
23	0206006	Screw M3X35 - GB/T818	2	
24	3002002009	Cable holder	1	
25	0508302	Holder HDB-16A	4	
26a	0501066	Breaker DZ47-63/3P-D16A	1	For 400V/380V/3Ph
26b	0501074	Breaker DZ47-63/2P-D32A	1	For 230V/220V/1Ph



27	0501001	AC contactor CJX2-1210(220V)	1
28	3054503904	Back cover	1
29	0306177	Solenoid air valve G1/4 3V210-08(220V)	1
30	0205001	Washer D.3 - GB/T97.1	2
31	0208001	Washer D.3 - GB/T93	2
32	0203001	Nut M3 - GB52	2
33	J04A031000	Lower box	1
34	J04A030003	Front cover	1
35	0206028	Screw M5X25 - GT/T818	6
36	0207019	Screw M8X20 - GB/T819.1	4
37	3032084008	Rubber pad	4
38	3002005001	Support	2
39	BZ-W4LY-21L	Hydraulic power unit	1



TAV. 3.39

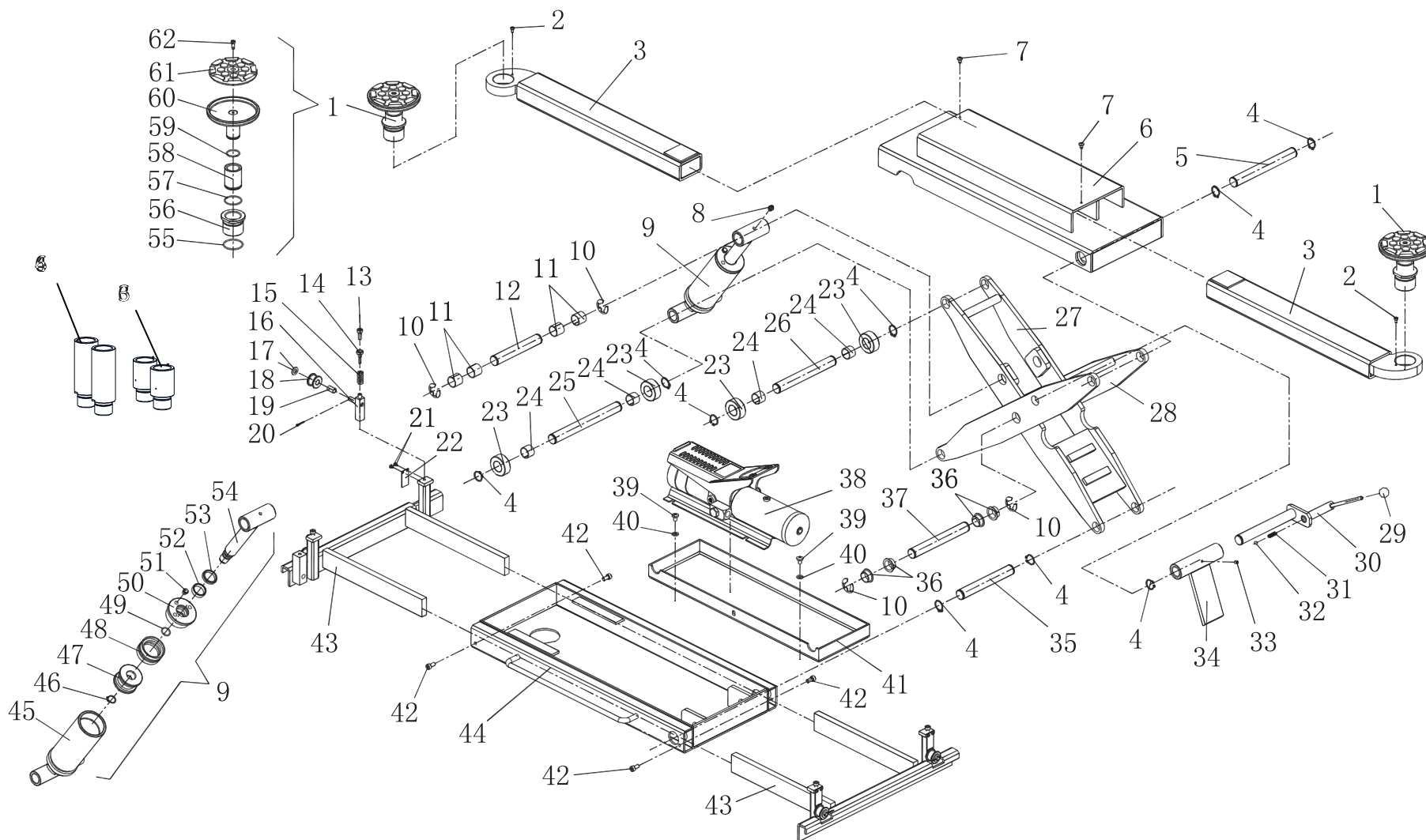
## CONTROL UNIT

ED. 12/19

ITEM	PART NO.	DESCRIPTION	QTY	REMARK
1	BZ-ZB-W4	Manifold	1	
2	0309054	O-ring 17X2	1	
3	0307067	Non return valve GDF-06-07-00	1	
4	0307010	Pressure overload valve FYF06-01-00	1	
5	BZ-SD-01	Plug	1	
6	0205006	Washer D.6 - GB/T97.1	8	
7	0208005	Spring washer D.6 - GB/T93	8	
8	0202036	Screw M6X65 - GB/T70.1	4	
9	0202045	Screw M8X20 - GB/T70.1	4	
10	0208006	Spring washer D.8 - GB/T93	6	
11	BZ-DJ-1B	Motor flange	1	
12a	0509070	Motor 380V/50Hz/3PH 2.6KW	1	
12b	0509071	Motor 220V/50Hz/1PH 2.2KW	1	
12c	0509092	Motor 220V/60Hz/1PH 2.2KW	1	
13	BZ-ZT24	Motor joint	1	
14	0209042	Screw M6X8 - GB/T80	1	
15	0303063	Union 1/4 1BT-04SP	1	
16	0307041	Leveling cutoff cock 1/4 BKH224-DN06-G1/4	1	
17	0305054	Pressure gauge LA-60X400	1	
18	0303031	90° union 1/4 1T9-04SP	1	
19	0305001	Plug ZBJ22 007-QD07	3	
20	BZ-W-YL	Interface block	1	
21	0203035	Nut M6-GB6170	4	
22	0213045	Double-screw bolt M6X120 - GB/T901	4	
23	0309019	O-ring 18X2.4 - GB1235	1	
24	0307006	Lowering speed control valve BLF06-02-00/Φ2.5	1	
25	0307130	Down valves	1	

TAV. 3.39	CONTROL UNIT		ED. 12/19
-----------	--------------	--	-----------

26	0307133	Electromagnet coil 220V	1	
27	0301034	Manual pump QTHB-14	1	
28	BZ-BJ25	Pump joint	1	
29a	0301022	Gear pump4.8CC	1	For 3PH motor
29b	0301041	Gear pump1.6CC	1	For 1PH/50Hz motor
30	BZ-G18X170	Oil suction pipe	1	
31	0305010	Oil filter ZG3/8" ZF-08	1	
32	HK5-0200	Oil tank	1	
33	0305018	Plug 4BN-06WD G3/8	1	
34	0306097	Rilsan hose 8X5 L=250	1	
35	0305087	Oil level plug 3/4	1	
36	0306069	Rotation union 8-1/8	1	
37	BZ-F-01	Gasket	1	
38	0303060	Union 1T-04SPL	1	
39	0307041	Leveling cutoff cock 1/4	1	
40	0306067	Union $\Phi$ 10 ZG1-4	1	
41	BZ-G14X230	Oil return pipe	1	
42	0303002	90° union 1/4 (1BT9-04SP)	1	
43	BZ-HC2-0	Startup valve	1	For 1PH motor
44	0202053	Screw M8X90 - GB/T70.1	2	
45	0309014	O-ring 13X1.9 - GB1235	1	



TAV.4.0	JACKING BEAM	ED. 12/19
---------	--------------	-----------

ITEM	PART NO.	DESCRIPTION	QTY	REMARK
1	Z23A313000	Lifting adaptor assembly	2	
2	0202020	Screw M5X8 - GB/T70.1	2	
3	J07K220000	Lifting arm	2	
4	0212004	Seeger D.25	9	
5	HJ-RG-10-4	Shaft	1	
6	J07K210000	Beam	1	
7	0206031	Screw M6X10 - GB/T818	2	
8	0215021	Greaser 8X1	1	
9	HJ-63-0	Jack hydraulic cylinder unit	1	
10	0211003	Seeger D.19	4	
11	0210009	Bush SF-1/2525	4	
12	HJ-RG-19	Cylinder upper shaft	1	
13	0202045	Screw 8X20 - GB/T70.1	4	
14	J07K180001	Pin	4	
15	HJ-RG-18	Spring	4	
16	J07K130000	Slider	4	
17	0205011	Washer D.10 - GB/T97.1	4	
18	HJ-RG-14	Roller	4	
19	0210001	Bush SF-1/1020	4	
20	0213044	Split pin 2X20	4	
21	0206019	Screw M4X6 - GB/T818	8	
22	J07K180002	Anti-derailment plate	4	
23	HJ-RG-11-1	Wheel	4	
24	0210008	Bush SF-1/2520	4	
25	HJ-RG-10-5	Cylinder lower shaft	1	
26	HJ-RG-10-3	Shaft	1	
27	J07K400000	Inner scissor arm	1	

TAV.4.0	JACKING BEAM	ED. 12/19
---------	--------------	-----------

28	J07K300000	Outer scissor arm	1
29	0215016	Handle knob M8X25	1
30	HJ-RG-08-0	Safety release handle	1
31	HJ-SB-19-3	Spring	1
32	0215038	Steel ball D.8	1
33	0209010	Screw M6X10 - GB/T78	1
34	HJ-RG-09-0	Safety hook	1
35	HJ-RG-10-1	Shaft	1
36	0210066	Bush SF-1/2512F	4
37	HJ-RG-10-2	Central shaft	1
38	0301052	Air-hydraulic pedal pump 800CC	1
39	0206001	Screw M8X12 - GB/T818	2
40	0205008	Washer D.8 - GB/T97.1	2
41	6740A-61101A	Pump tray	1
42	0202040	Screw M8X16 - GB/T70.1	4
43	J07K120000	Base extension	2
44	J07Q110000	Jack base	1
45	HJ-63-1	Jack cylinder liner	1
46	0212005	Seeger D.20	1
47	8240TX-63-2	Jack cylinder piston	1
48	0312012	Gasket 63X47X18.4	1
49	0309022	O-ring 24X2.4	1
50	8240TX-63-3	Cylinder guiding cover	1
51	0306087	Silencer 1/8	1
52	0305007	Guiding ring 30x10x2.5	1
53	0311005	Scraper 30X38X5/6.5	1
54	HJ-75-4	Cylinder shaft	1

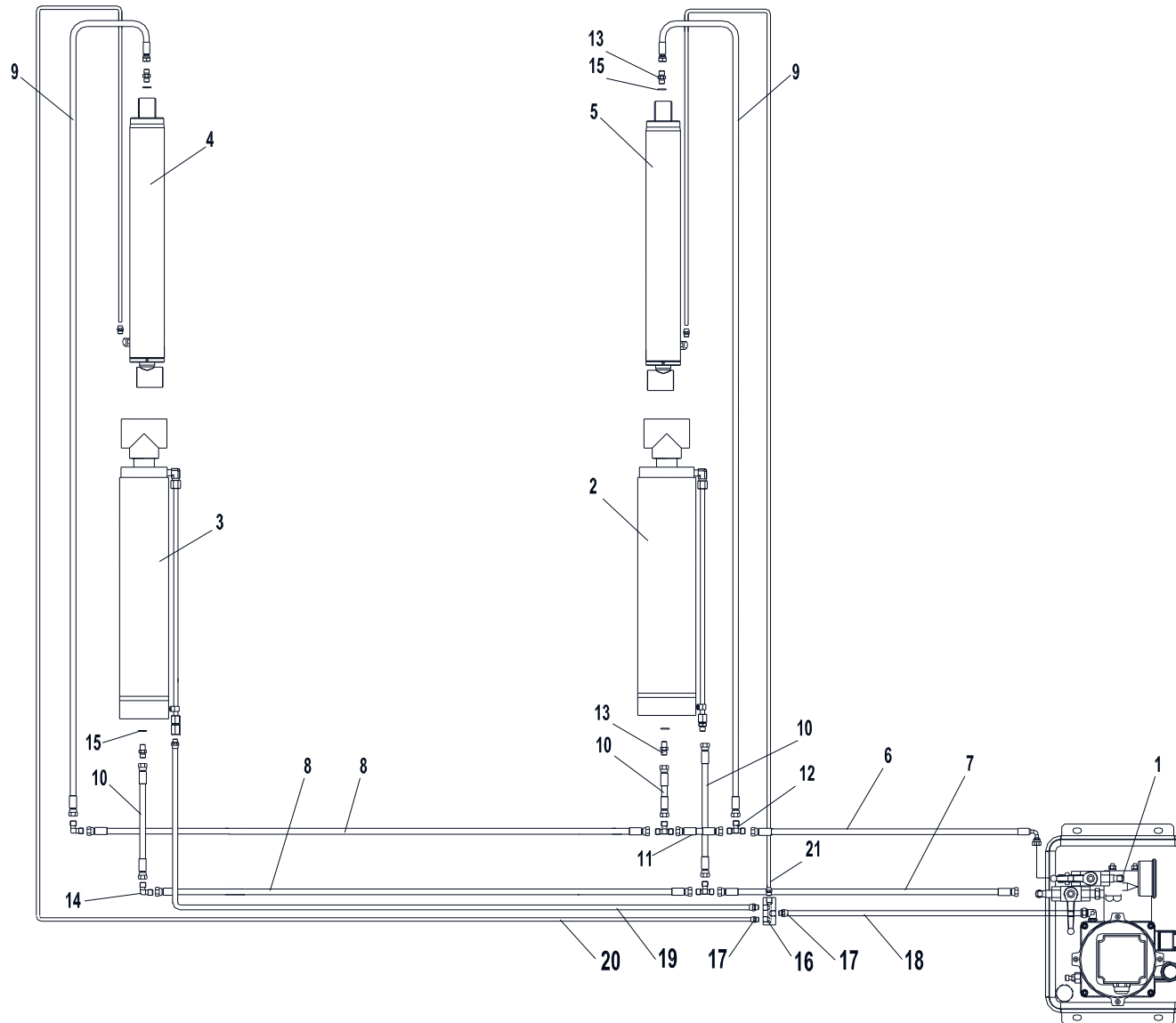
TAV.4.0	JACKING BEAM	ED. 12/19
---------	--------------	-----------

55	0309091	O-ring 45X2.65	2	
56	Z23A313002	Outer threaded bush	2	
57	0212034	Seeger D.42	2	
58	Z23A313001	Inner threaded bush	2	
59	0212035	Seeger D.32	2	
60	Z23A313100	Pad support	2	
61	Z23A313202	Rubber pad	2	
62	0202032	Screw M6X16 - GB/T70.1	2	
63	Z23A601200	Adaptor extension H80	2	For special request
64	Z23A601300	Adaptor extension H155	2	For special request



# HYDRAULIC LINE

ED. 12/19



**HYDRAULIC LINE**

**ED. 12/19**

<b>ITEM</b>	<b>PART NO.</b>	<b>DESCRIPTION</b>	<b>QTY</b>	<b>REMARK</b>
1	BZ-W4LY-21L	Hydraulic power unit	1	
2	J64AY20000	Master hydraulic cylinder	1	
3	J64AY30000	Slave hydraulic cylinder	1	
4	J64AY60000	Assistant hydraulic cylinder	1	
5	J64AY70000	Assistant hydraulic cylinder	1	
6	ZW3400	Hydraulic hose 1/4 L=3400	1	
7	ZZ3350	Hydraulic hose 1/4 L=3350	1	
8	ZZ1550	Hydraulic hose 1/4 L=1550	2	
9	ZZ3200	Hydraulic hose 1/4 L=3200	2	
10	ZZ400	Hydraulic hose 1/4 L=400	3	
11	ZZ160	Hydraulic hose 1/4 L=160	1	
12	0303021	Tee union (AB-04)	3	
13	0303065	Union (1B-04)	4	
14	0303010	90° union 1B9-04SP	2	
15	0313001	Washer 1/4	4	
16	BZ-JT-010	Union	1	
17	0306079	Union D.10-ZG1/4	7	
18	0306109	PU hose 10X6.5X3800	1	
19	0306109	PU hose 10X6.5X2200	1	
20	0306109	PU hose 10X6.5X5900	1	
21	0306109	PU hose 10X6.5X4000	1	